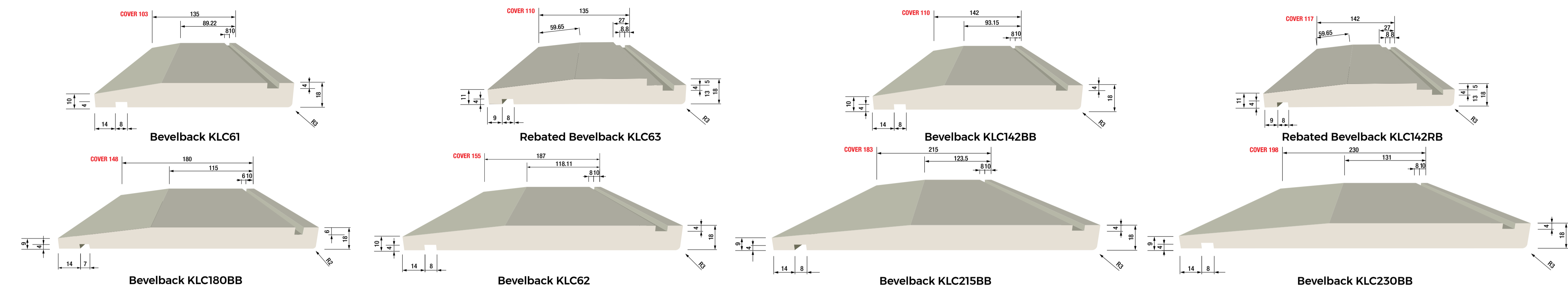
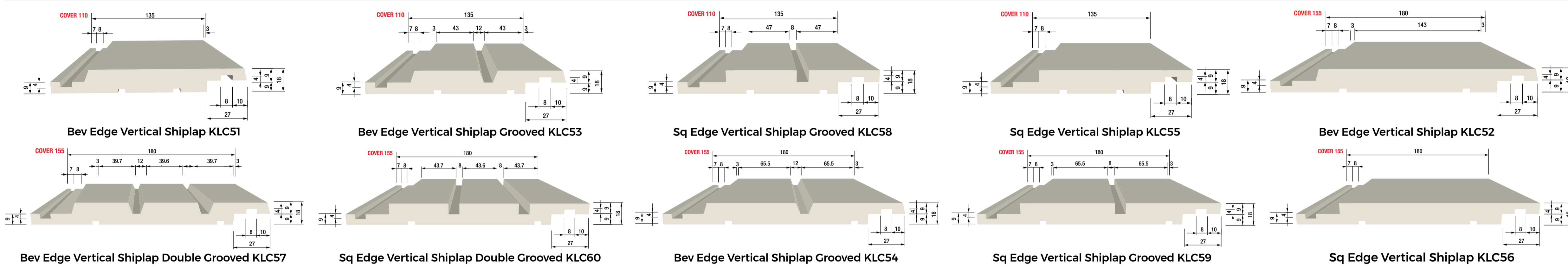


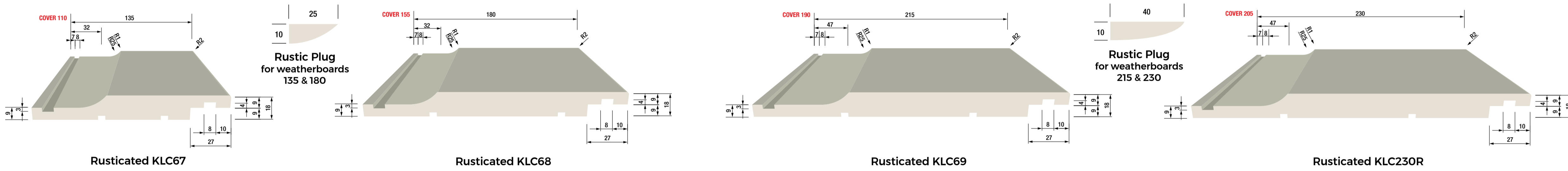
BEVELBACK PROFILES 6.3m



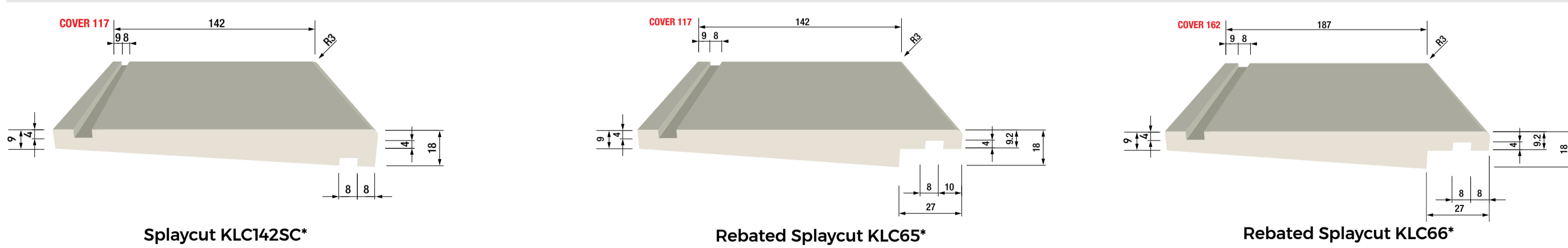
VERTICAL SHIPLAP PROFILES 6.3m



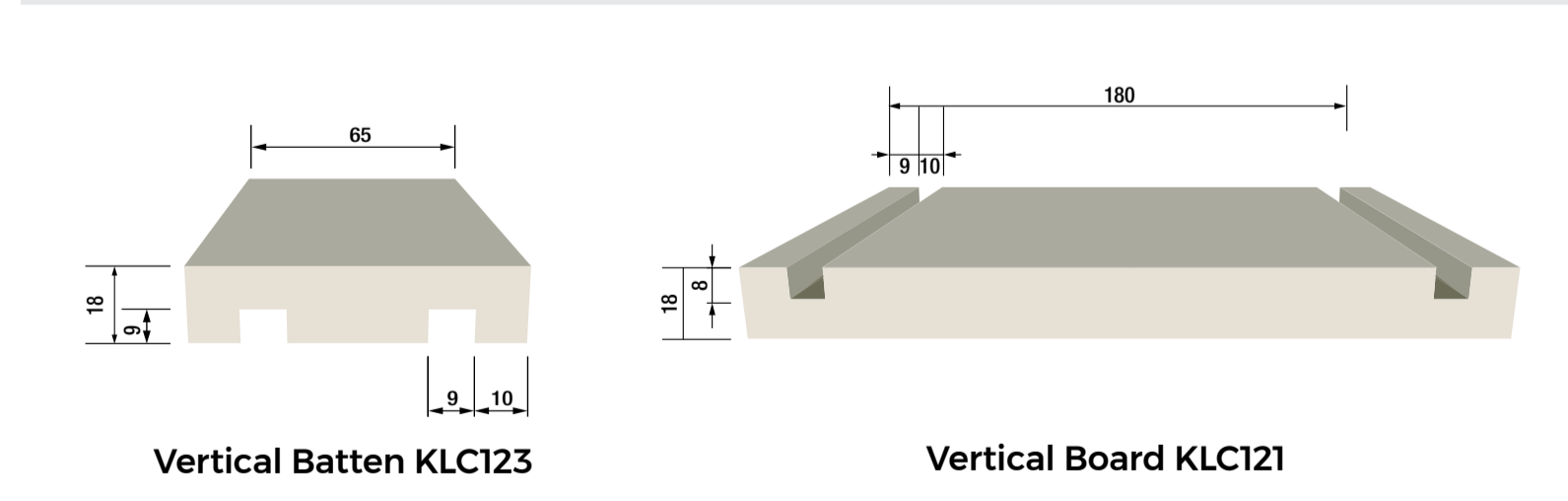
RUSTICATED PROFILES 6.3m



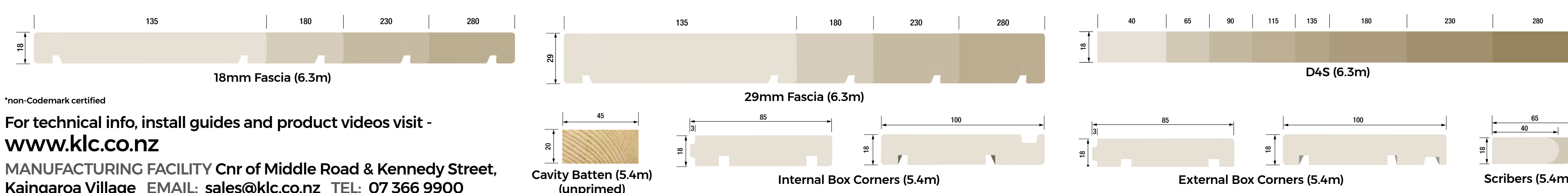
SPLAYCUT PROFILES 6.3m



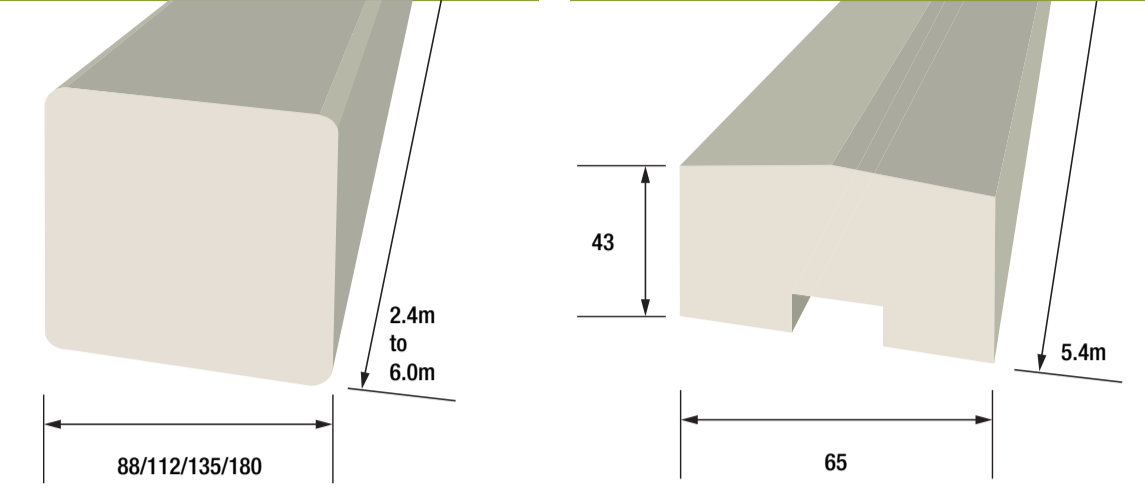
VERTICAL BOARD & BATTEN PROFILES 6.3m



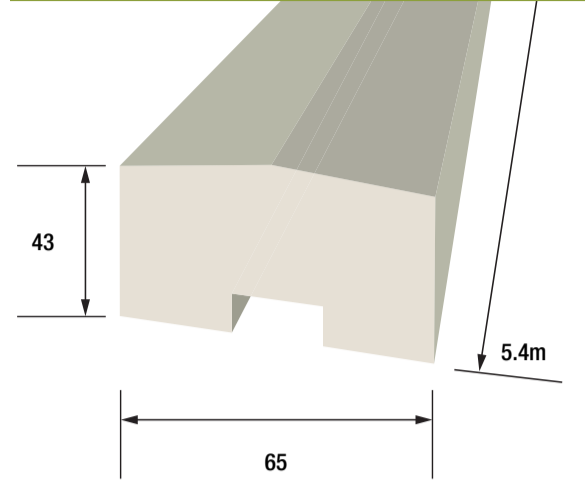
EXTRA PROFILES FACSIA, BOX CORNERS, D4S AND SCRIBERS



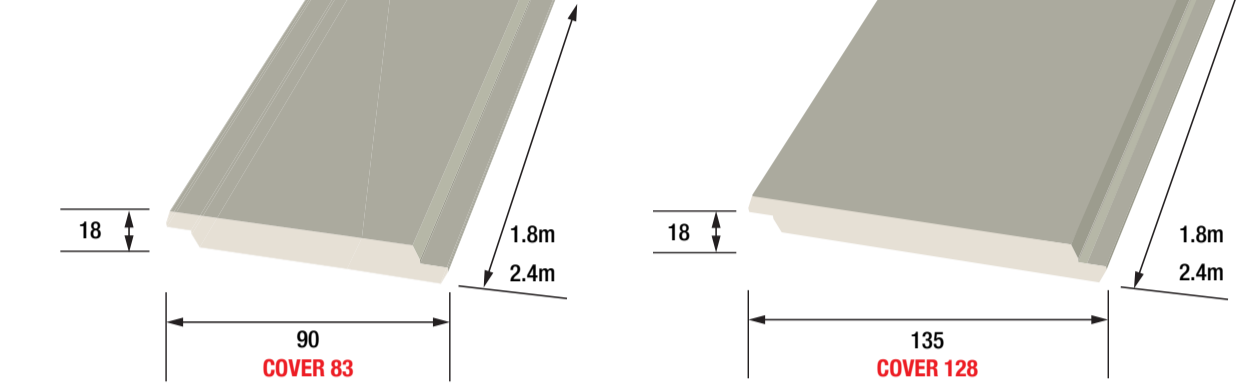
H4 POST



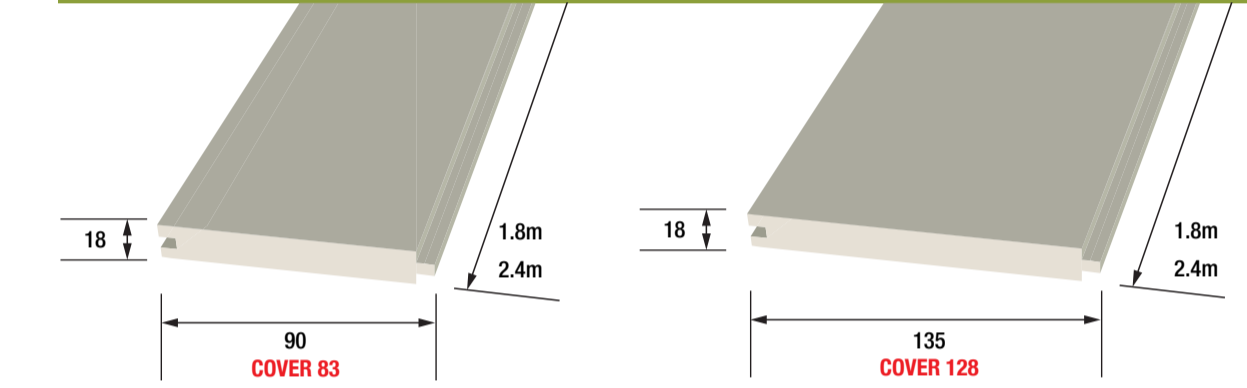
H3.2 CAPPING



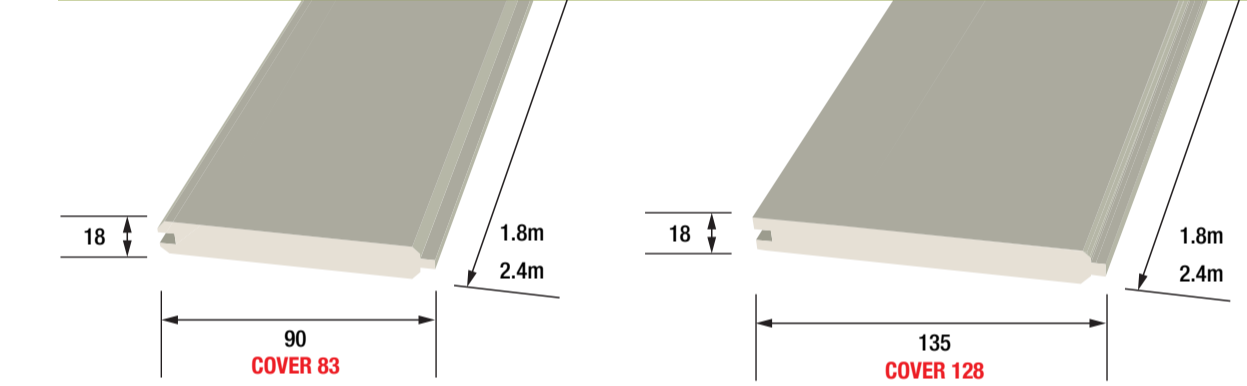
H3.2 SHIPLAP PALING



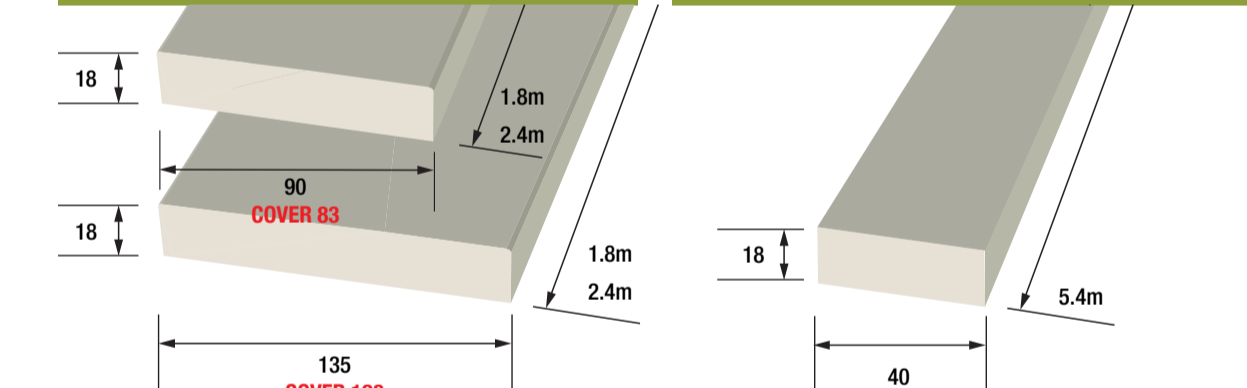
H3.2 T&G PALING



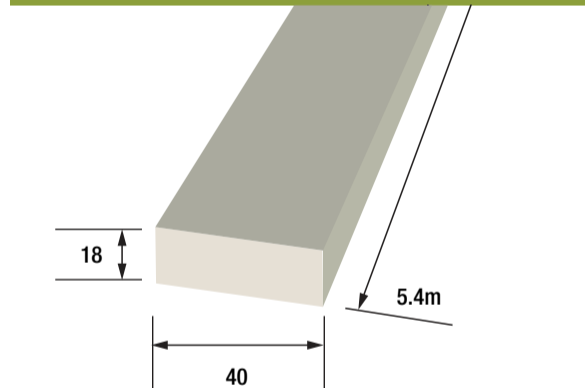
H3.2 TGV PALING



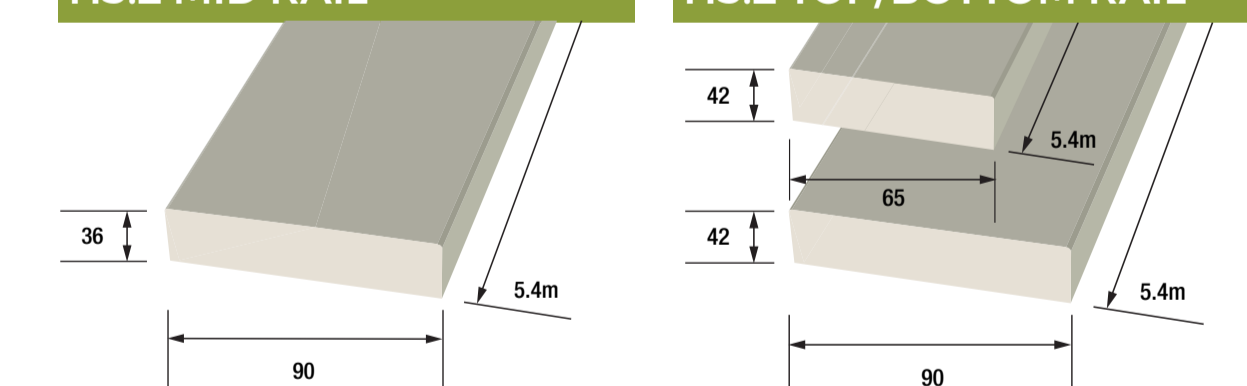
H3.2 PRD4S PALING



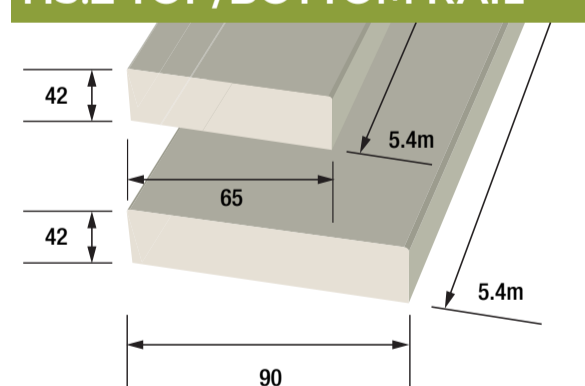
H3.2 D4S BEADING



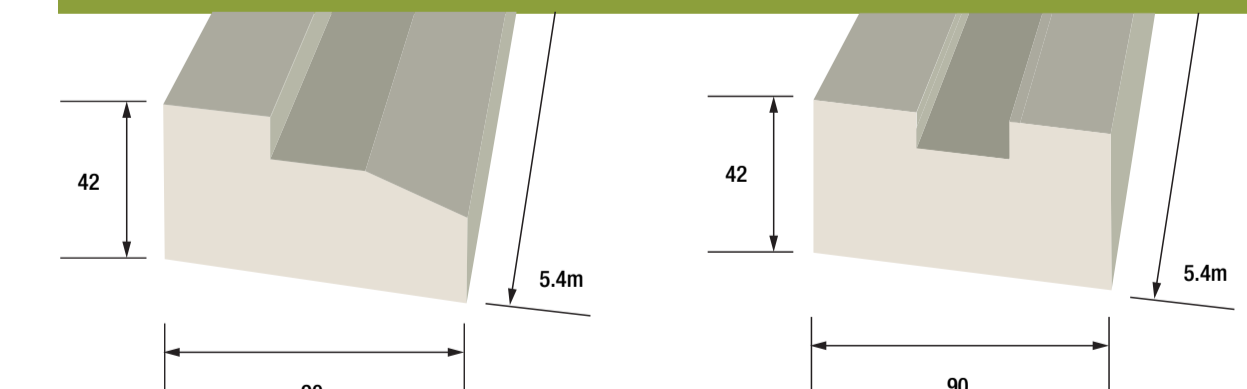
H3.2 MID RAIL



H3.2 TOP/BOTTOM RAIL



H3.2 BOTTOM RAIL



DISTRIBUTOR

*non-Codemark certified

For technical info, install guides and product videos visit - www.klc.co.nz

MANUFACTURING FACILITY Cnr of Middle Road & Kennedy Street, Kaingaroa Village EMAIL: sales@klc.co.nz TEL: 07 366 9900