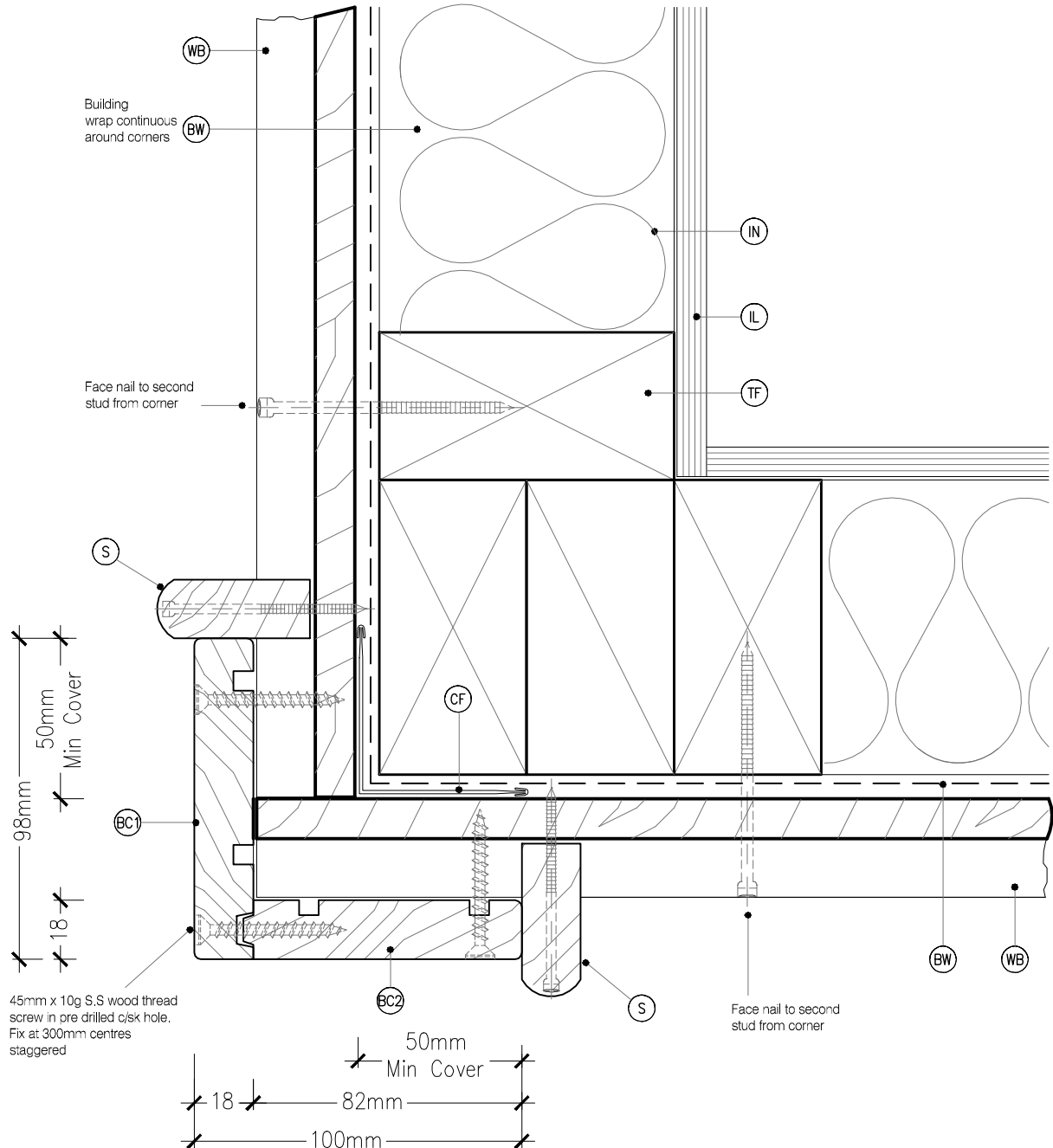


LEGEND :

<p>(PEF) PEF ROD BACKING: Foam backing rod with sealant to perimeter that forms a waterproof air-seal. (Sealant 2:1 Ratio)</p> <p>(IL) INTERNAL LINING: Selected Internal Lining</p> <p>(BW) BUILDING WRAP: Flexible Wall Underlay, As per NZBC E2/AS1 - Table 23, In extra high wind zones, Rigid Underlay required (9.1.7.2 E2/AS1)</p> <p>(TF) TIMBER FRAME: H1.2 min treated timber framing</p> <p>(WB) WEATHER BOARD: KLC Generation II, MicroPro H3.2 Bevel Back Weatherboard. Profile to NZS 3617</p>	<p>(FT3) FLEXIBLE FLASHING TAPE: Flexible flashing tape lapped into corner, Refer NZBC E2/AS1 4.3.11</p> <p>(FT4) FLEXIBLE FLASHING TAPE: Flexible flashing tape wrapped around pipe and over building wrap, Refer NZBC E2/AS1 4.3.11 & Figure 68</p> <p>(IN) INSULATION: Selected Insulation</p> <p>(BC1) BOXED CORNER COVER : 98x18 KLC Generation II, MicroPro H3.2 Cover Batten to boxed corners</p> <p>(BC2) BOXED CORNER COVER: 85x18 KLC Generation II, MicroPro H3.2 Cover Batten to boxed corners</p>	<p>(CF) CORNER FLASHING: Aluminium, PVC or Stainless Steel corner flashing. Refer NZBC E2/AS1 4.3 50x50 Hem or Hook to Flashing Edges 75x75 NO. Hem or Hook Required EXTRA HIGH WIND ZONE 100x100 Hem or Hook to Flashing Edges, Refer NZBC E2/AS1 4.5.1</p> <p>(S) SCRIBER: KLC Generation II, MicroPro H3.2 (10mm wide min) profile cut to fit weatherboard, sealant to back of scriber and 75 x 3.15mm Galvanised nail in 3mm predrilled hole. 40x18 or 65x18 depending on weatherboard size</p>
---	---	---



MicroPro® Wood Treatment Technology

- KLC use the MicroPro Micronized Copper Azole (MCA) based preservative system for their wood products. It accounts for 80% of wood treated in the US for domestic applications.
- Micronized Copper Azole (MCA) preservatives are EPA-approved for use in NZ and AUS to NZS3640:2003 and AS1604:12012
- MicroPro preservative is applied using high-pressure and vacuum-pressure in the impregnation process in KLC's modern, automated treatment facility.
- Cut End Treatment: All cut ends surfaces are to be double coated and sealed before fixing. With a alkyl (oil based) primer
- MicroPro preservative solution has benefits of reduced corrosivity. Use Hot Dip Galvanised Fasteners & Stainless Steel fasteners. MicroPro may be placed in direct contact with Aluminium Building products in interior applications, and above ground exterior applications that provide proper water drainage
- MicroPro® is the first wood treatment process to be EPP (Environmentally Preferable Product) certified by Scientific Certification Systems based on a life cycle assessment.
- MicroPro® is environmentally sustainable, is low leaching, low VOC emissions and the award of the GREENGUARD Children and Schools Certification from the Greenguard® Environmental Institute.
- MicroPro® Wood Treatment Technology has received a Global GreenTag GreenRate™ Level A this declaration is 'fit-for-Purpose' and confirmed for Green Building compliance.
- MicroPro® Wood Treatment Technology has received GreenTag PhD™ proving claims that MicroPro® is safe for human health (and ecosystems).

CAD REF :KLC DF BB50-56 - GENERAL DETAILS 02.dwg
DATE :20/11/2018



TYPE **Generation II H3.2 Exterior Cladding Systems**
Bevel Back Weatherboard - Direct Fix

NAME External Boxed Corner

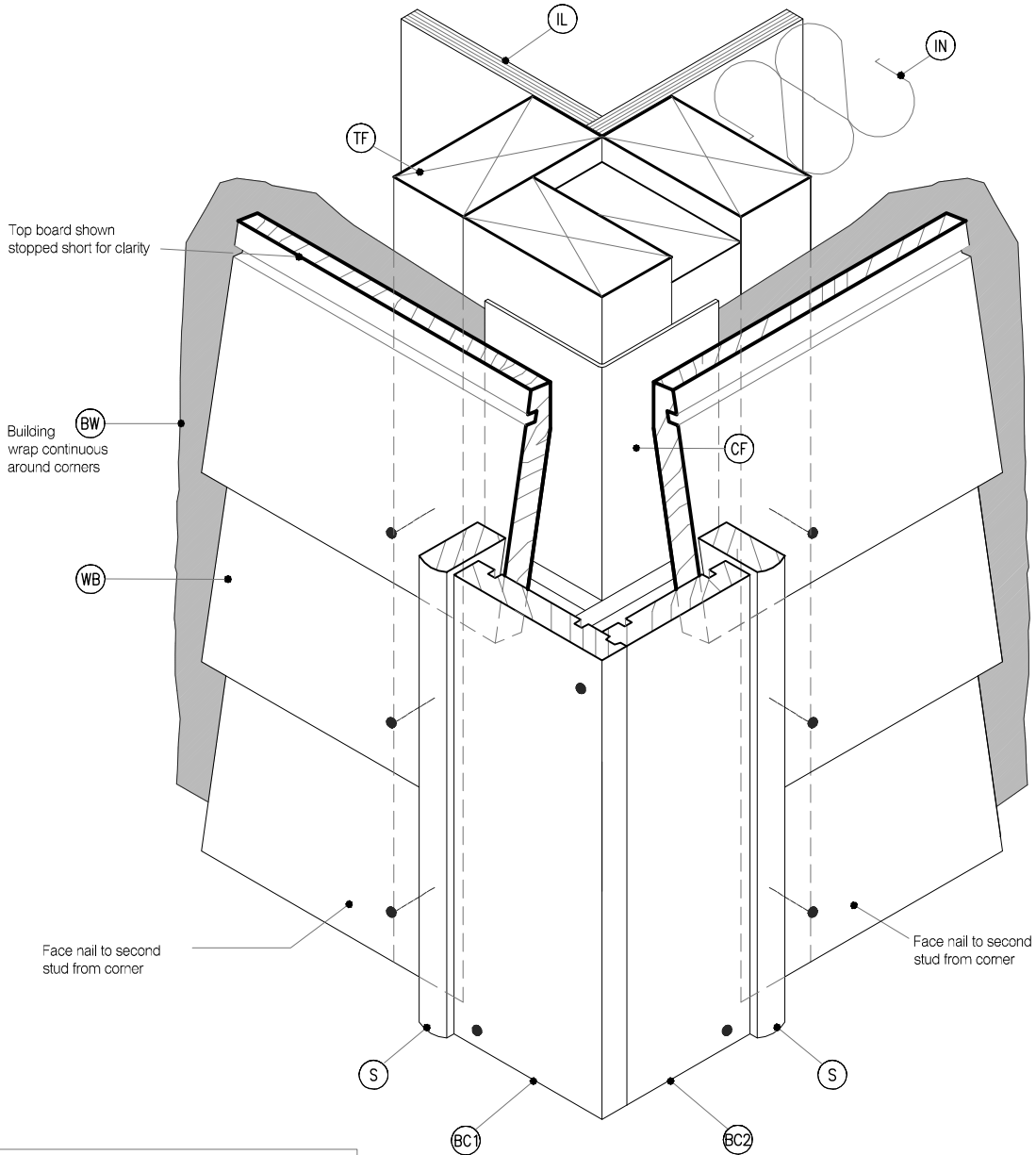
www.klc.co.nz
DETAILS MAY BE SUBJECT TO CHANGE WITHOUT NOTICE
COPYRIGHT © "KLC LIMITED" ALL RIGHTS ASSERTED



DRAWING SCALE 1:2 @ A4	ISSUE DATE 20/11/2018
DRAWING No KLC DF BB50	REVISION 0

LEGEND :

- | | | |
|--|--|--|
| <ul style="list-style-type: none"> (PEF) PEF ROD BACKING: Foam backing rod with sealant to perimeter that forms a waterproof air-seal. (Sealant 2:1 Ratio) (IL) INTERNAL LINING: Selected Internal Lining (BW) BUILDING WRAP: Flexible Wall Underlay, As per NZBC E2/AS1 - Table 23. In extra high wind zones, Rigid Underlay required (9.1.7.2 E2/AS1) (TF) TIMBER FRAME: H1.2 min treated timber framing (WB) WEATHER BOARD: KLC Generation II, MicroPro H3.2 Bevel Back Weatherboard. Profile to NZS 3617 | <ul style="list-style-type: none"> (FT3) FLEXIBLE FLASHING TAPE: Flexible flashing tape lapped into corner, Refer NZBC E2/AS1 4.3.11 (FT4) FLEXIBLE FLASHING TAPE: Flexible flashing tape wrapped around pipe and over building wrap, Refer NZBC E2/AS1 4.3.11 & Figure 68 (IN) INSULATION: Selected Insulation (BC1) BOXED CORNER COVER : 98x18 KLC Generation II, MicroPro H3.2 Cover Batten to boxed corners (BC2) BOXED CORNER COVER: 85x18 KLC Generation II, MicroPro H3.2 Cover Batten to boxed corners | <ul style="list-style-type: none"> (CF) CORNER FLASHING: Aluminium, PVC or Stainless Steel corner flashing. Refer NZBC E2/AS1 4.3 50x50 Hem or Hook to Flashing Edges 75x75 NO. Hem or Hook Required EXTRA HIGH WIND ZONE 100x100 Hem or Hook to Flashing Edges, Refer NZBC E2/AS1 4.5.1 (S) SCRIBER: KLC Generation II, MicroPro H3.2 (10mm wide min) profile cut to fit weatherboard, sealant to back of scriber and 75 x 3.15mm Galvanised nail in 3mm predrilled hole. 40x18 or 65x18 depending on weatherboard size |
|--|--|--|



NOTE :
Box corner trim must not be continuous over solid floor joists.

MicoPro® Wood Treatment Technology

1. KLC use the MicroPro Micronized Copper Azole (MCA) based preservative system for their wood products. It accounts for 80% of wood treated in the US for domestic applications.
2. Micronized Copper Azole (MCA) preservatives are EPA-approved for use in NZ and AUS to NZS3640:2003 and AS1604:12012
3. MicroPro preservative is applied using high-pressure and vacuum-pressure in the impregnation process in KLC's modern, automated treatment facility.
4. Cut End Treatment: All cut ends surfaces are to be double coated and sealed before fixing. With a alkylid (oil based) primer
5. MicroPro preservative solution has benefits of reduced corrosivity. Use Hot Dip Galvanised Fasteners & Stainless Steel fasteners. MicroPro may be placed in direct contact with Aluminium Building products in interior applications, and above ground exterior applications that provide proper water drainage
6. MicroPro® is the first wood treatment process to be EPP (Environmentally Preferable Product) certified by Scientific Certification Systems based on a life cycle assessment.
7. MicroPro® is environmentally sustainable, is low leaching, low VOC emissions and the award of the GREENGUARD Children and Schools Certification from the Greenguard® Environmental Institute.
8. MicroPro® Wood Treatment Technology has received a Global GreenTag GreenRate™ Level A this declaration is 'fit-for-Purpose' and confirmed for Green Building compliance.
9. MicroPro® Wood Treatment Technology has received GreenTag PhD™ proving claims that MicroPro® is safe for human health (and ecosystems).

CAD REF : KLC DF BB50-56 - GENERAL DETAILS 02.dwg
DATE : 20/11/2018



Generation II H3.2 Exterior Cladding Systems
Bevel Back Weatherboard - Direct Fix

www.klc.co.nz
DETAILS MAY BE SUBJECT TO CHANGE WITHOUT NOTICE
COPYRIGHT © KLC LIMITED ALL RIGHTS ASSERTED

NAME 3D - External Boxed Corner

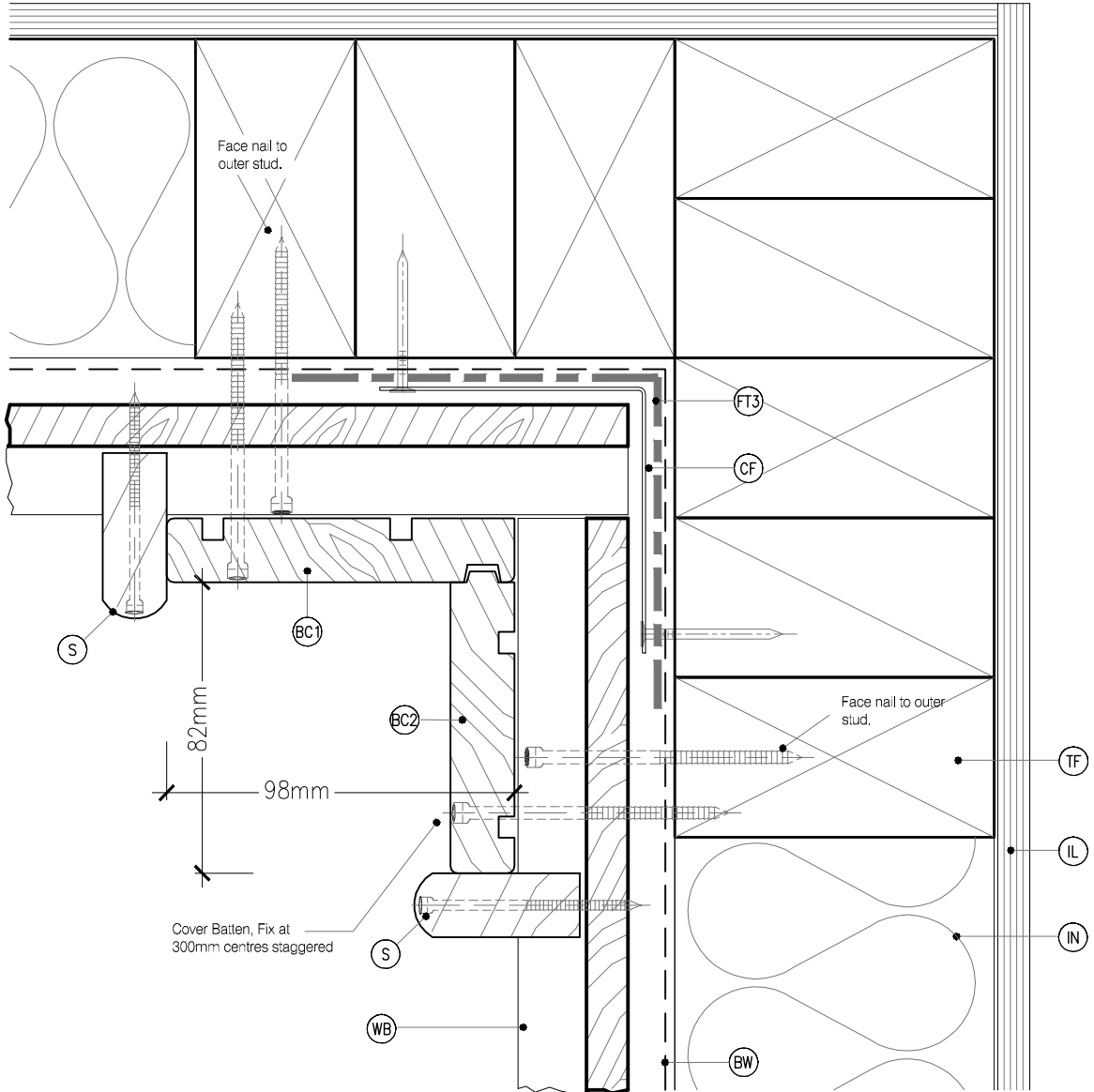


DRAWING SCALE 1:2 @ A4
ISSUE DATE 20/11/2018

DRAWING No	REVISION
KLC DF BB51	0

LEGEND :

<p>(PEF) PEF ROD BACKING: Foam backing rod with sealant to perimeter that forms a waterproof air-seal. (Sealant 2:1 Ratio)</p> <p>(IL) INTERNAL LINING: Selected Internal Lining</p> <p>(BW) BUILDING WRAP: Flexible Wall Underlay, As per NZBC E2/AS1 - Table 23. In extra high wind zones, Rigid Underlay required (9.1.7.2 E2/AS1)</p> <p>(TF) TIMBER FRAME: H1.2 min treated timber framing</p> <p>(WB) WEATHER BOARD: KLC Generation II, MicroPro H3.2 Bevel Back Weatherboard. Profile to NZS 3617</p>	<p>(FT3) FLEXIBLE FLASHING TAPE: Flexible flashing tape lapped into corner, Refer NZBC E2/AS1 4.3.11</p> <p>(FT4) FLEXIBLE FLASHING TAPE: Flexible flashing tape wrapped around pipe and over building wrap, Refer NZBC E2/AS1 4.3.11 & Figure 68</p> <p>(IN) INSULATION: Selected Insulation</p> <p>(BC1) BOXED CORNER COVER : 98x18 KLC Generation II, MicroPro H3.2 Cover Batten to boxed corners</p> <p>(BC2) BOXED CORNER COVER: 85x18 KLC Generation II, MicroPro H3.2 Cover Batten to boxed corners</p>	<p>(CF) CORNER FLASHING: Aluminium, PVC or Stainless Steel corner flashing. Refer NZBC E2/AS1 4.3 50x50 Hem or Hook to Flashing Edges 75x75 NO. Hem or Hook Required EXTRA HIGH WIND ZONE 100x100 Hem or Hook to Flashing Edges, Refer NZBC E2/AS1 4.5.1</p> <p>(S) SCRIBER: KLC Generation II, MicroPro H3.2 (10mm wide min) profile cut to fit weatherboard, sealant to back of scriber and 75 x 3.15mm Galvanised nail in 3mm predrilled hole. 40x18 or 65x18 depending on weatherboard size</p>
---	---	---



DETAIL NOTES :

1. Aluminium extrusion must not be continuous over solid floor joists.
2. Corner Flashing is recommended but not required by E2/AS1
3. Flashing tape is recommended due to movement that may occur in corners but it is not required by E2/AS1

MicroPro® Wood Treatment Technology

1. KLC use the MicroPro Micronized Copper Azole (MCA) based preservative system for their wood products. It accounts for 80% of wood treated in the US for domestic applications.
2. Micronized Copper Azole (MCA) preservatives are EPA-approved for use in NZ and AUS to NZS3640:2003 and AS1604:12012
3. MicroPro preservative is applied using high-pressure and vacuum-pressure in the impregnation process in KLC's modern, automated treatment facility.
4. Cut End Treatment: All cut ends surfaces are to be double coated and sealed before fixing. With a alkyl (oil based) primer
5. MicroPro preservative solution has benefits of reduced corrosivity. Use Hot Dip Galvanised Fasteners & Stainless Steel fasteners. MicroPro may be placed in direct contact with Aluminium Building products in interior applications, and above ground exterior applications that provide proper water drainage
6. MicroPro® is the first wood treatment process to be EPP (Environmentally Preferable Product) certified by Scientific Certification Systems based on a life cycle assessment.
7. MicroPro® is environmentally sustainable, is low leaching, low VOC emissions and the award of the GREENGUARD Children and Schools Certification from the Greenguard® Environmental Institute.
8. MicroPro® Wood Treatment Technology has received a Global GreenTag GreenRate™ Level A this declaration is 'fit-for-Purpose' and confirmed for Green Building compliance.
9. MicroPro® Wood Treatment Technology has received GreenTag PhD™ proving claims that MicroPro® is safe for human health (and ecosystems).

CAD REF : KLC DF BB50-56 - GENERAL DETAILS 02.dwg
DATE : 20/11/2018



TYPE **Generation II H3.2 Exterior Cladding Systems**
Bevel Back Weatherboard - Direct Fix

www.klc.co.nz
DETAILS MAY BE SUBJECT TO CHANGE WITHOUT NOTICE
COPYRIGHT © KLC LIMITED ALL RIGHTS ASSERTED

NAME **Internal Boxed Corner**



DRAWING SCALE 1:2 @ A4	ISSUE DATE 20/11/2018
DRAWING No KLC DF BB52	REVISION 0

LEGEND :

- | | | |
|---|---|---|
| <p>PEF PEF ROD BACKING: Foam backing rod with sealant to perimeter that forms a waterproof air-seal. (Sealant 2:1 Ratio)</p> <p>IL INTERNAL LINING: Selected Internal Lining</p> <p>BW BUILDING WRAP: Flexible Wall Underlay, As per NZBC E2/AS1 - Table 23, In extra high wind zones, Rigid Underlay required (9.1.7.2 E2/AS1)</p> <p>TF TIMBER FRAME: H1.2 min treated timber framing</p> <p>WB WEATHER BOARD: KLC Generation II, MicroPro H3.2 Bevel Back Weatherboard. Profile to NZS 3617</p> | <p>FT3 FLEXIBLE FLASHING TAPE: Flexible flashing tape lapped into corner, Refer NZBC E2/AS1 4.3.11</p> <p>FT4 FLEXIBLE FLASHING TAPE: Flexible flashing tape wrapped around pipe and over building wrap, Refer NZBC E2/AS1 4.3.11 & Figure 68</p> <p>IN INSULATION: Selected Insulation</p> <p>BC1 BOXED CORNER COVER : 98x18 KLC Generation II, MicroPro H3.2 Cover Batten to boxed corners</p> <p>BC2 BOXED CORNER COVER: 85x18 KLC Generation II, MicroPro H3.2 Cover Batten to boxed corners</p> | <p>CF CORNER FLASHING: Aluminium, PVC or Stainless Steel corner flashing. Refer NZBC E2/AS1 4.3 50x50 Hem or Hook to Flashing Edges 75x75 NO. Hem or Hook Required EXTRA HIGH WIND ZONE 100x100 Hem or Hook to Flashing Edges, Refer NZBC E2/AS1 4.5.1</p> <p>S SCRIBER: KLC Generation II, MicroPro H3.2 (10mm wide min) profile cut to fit weatherboard, sealant to back of scriber and 75 x 3.15mm Galvanised nail in 3mm predrilled hole. 40x18 or 65x18 depending on weatherboard size</p> |
|---|---|---|

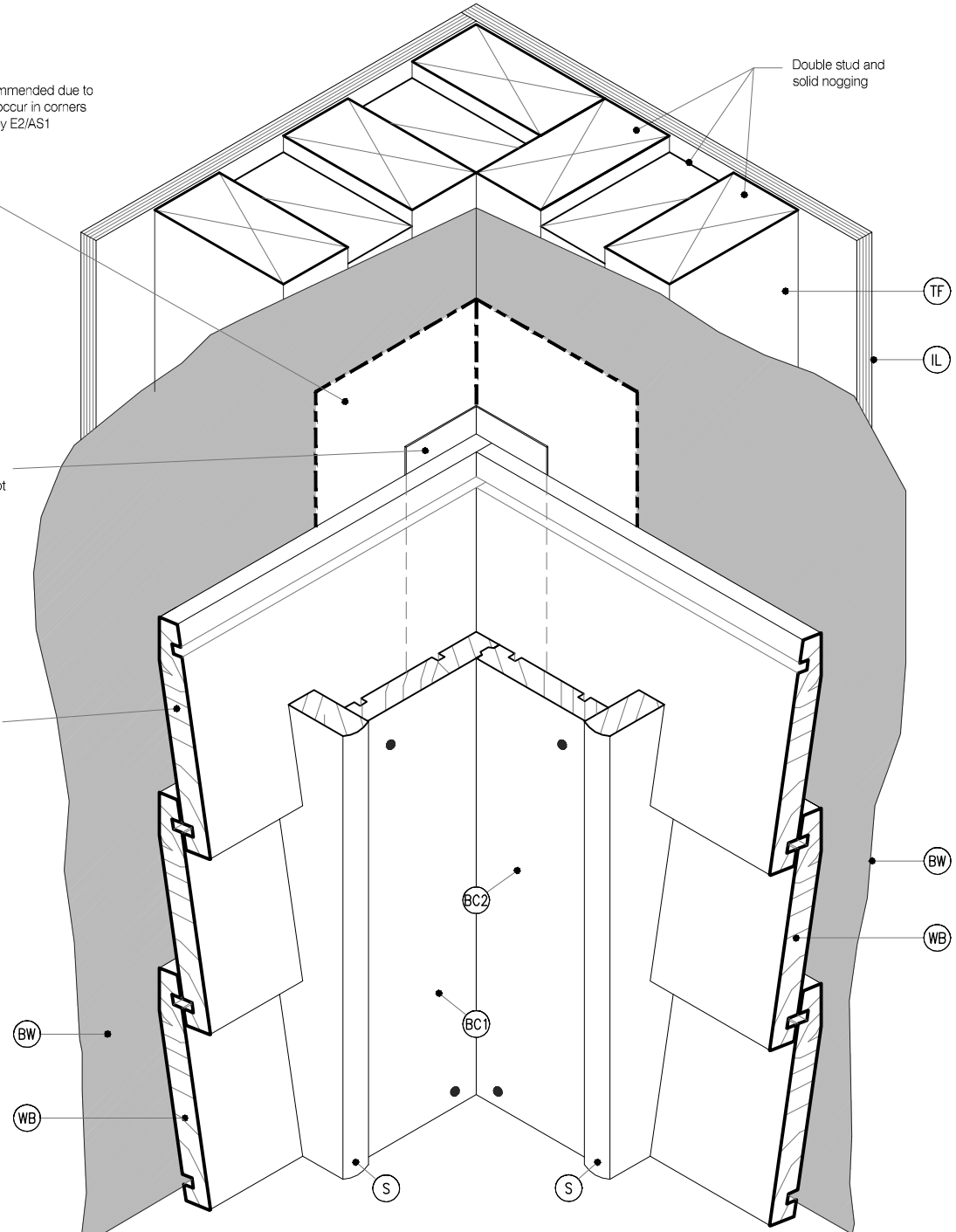
FT3

Flashing tape is recommended due to movement that may occur in corners but it is not required by E2/AS1

CF

Corner Flashing is recommended but not required by E2/AS1

Weatherboards this side to run through to stud and to be fixed first.



MicoPro® Wood Treatment Technology

1. KLC use the MicroPro Micronized Copper Azole (MCA) based preservative system for their wood products. It accounts for 80% of wood treated in the US for domestic applications.
2. Micronized Copper Azole (MCA) preservatives are EPA-approved for use in NZ and AUS to NZS3640:2003 and AS1604:12012
3. MicroPro preservative is applied using high-pressure and vacuum-pressure in the impregnation process in KLC's modern, automated treatment facility.
4. Cut End Treatment: All cut ends surfaces are to be double coated and sealed before fixing. With a alkyl (oil based) primer
5. MicroPro preservative solution has benefits of reduced corrosivity. Use Hot Dip Galvanised Fasteners & Stainless Steel fasteners. MicroPro may be placed in direct contact with Aluminium Building products in interior applications, and above ground exterior applications that provide proper water drainage.
6. MicroPro® is the first wood treatment process to be EPP (Environmentally Preferable Product) certified by Scientific Certification Systems based on a life cycle assessment.
7. MicroPro® is environmentally sustainable, is low leaching, low VOC emissions and the award of the GREENGUARD Children and Schools Certification from the Greenguard® Environmental Institute.
8. MicroPro® Wood Treatment Technology has received a Global GreenTag GreenRate™ Level A this declaration is 'Fit-for-Purpose' and confirmed for Green Building compliance.
9. MicroPro® Wood Treatment Technology has received GreenTag PhD™ proving claims that MicroPro® is safe for human health (and ecosystems).

CAD REF : KLC DF BB50-56 - GENERAL DETAILS 02.dwg
DATE : 20/11/2018



www.klc.co.nz
DETAILS MAY BE SUBJECT TO CHANGE WITHOUT NOTICE
COPYRIGHT © "KLC LIMITED" ALL RIGHTS ASSERTED

TYPE **Generation II H3.2 Exterior Cladding Systems**
Bevel Back Weatherboard - Direct Fix

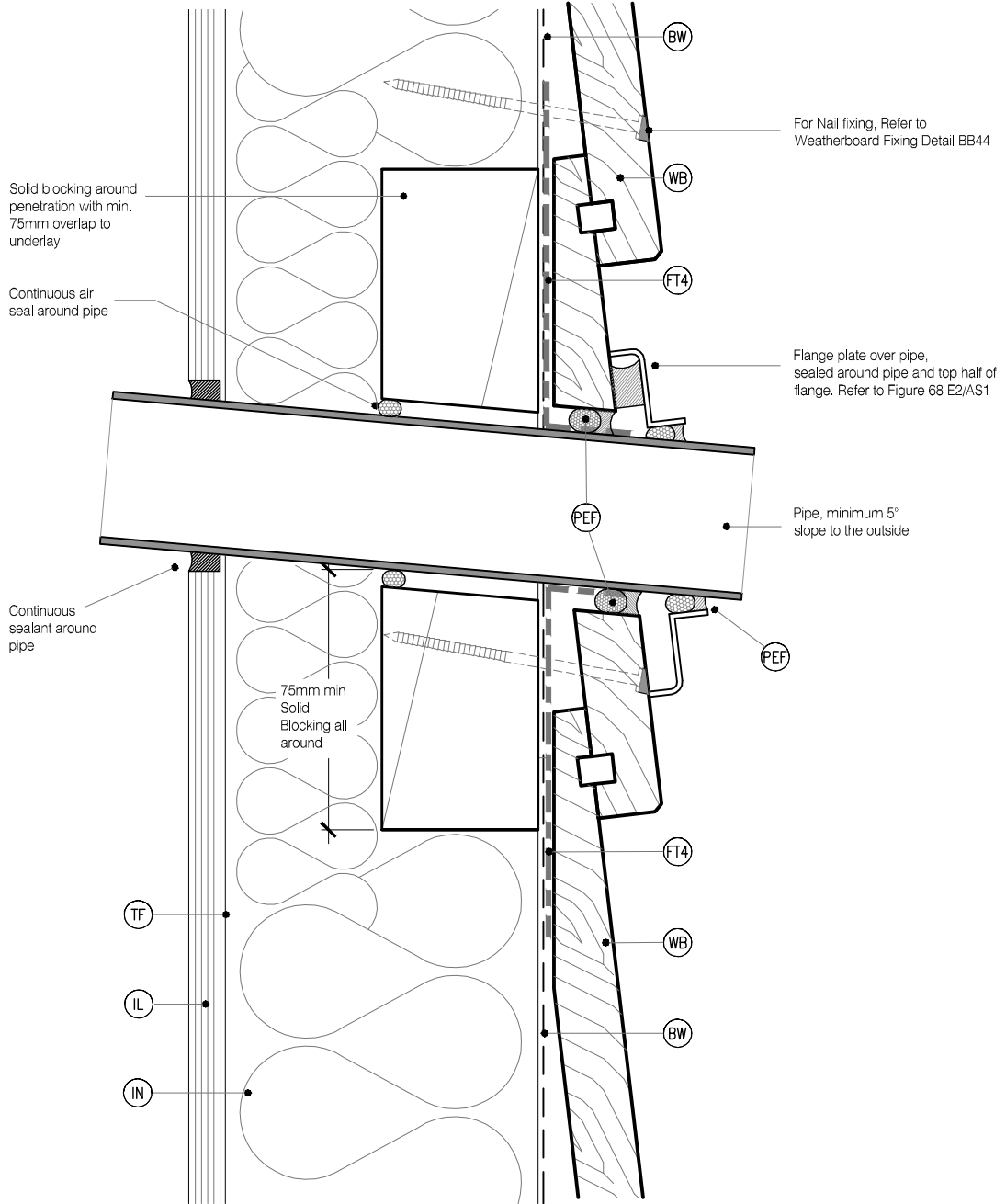
NAME **3D - Internal Boxed Corner**



DRAWING SCALE 1:2 @ A4	ISSUE DATE 20/11/2018
DRAWING No KLC DF BB53	REVISION 0

LEGEND :

- | | | |
|---|---|---|
| <p>(PEF) PEF ROD BACKING: Foam backing rod with sealant to perimeter that forms a waterproof air-seal. (Sealant 2:1 Ratio)</p> <p>(IL) INTERNAL LINING: Selected Internal Lining</p> <p>(BW) BUILDING WRAP: Flexible Wall Underlay, As per NZBC E2/AS1 - Table 23. In extra high wind zones, Rigid Underlay required (9.1.7.2 E2/AS1)</p> <p>(TF) TIMBER FRAME: H1.2 min treated timber framing</p> <p>(WB) WEATHER BOARD: KLC Generation II, MicroPro H3.2 Bevel Back Weatherboard. Profile to NZS 3617</p> | <p>(FT3) FLEXIBLE FLASHING TAPE: Flexible flashing tape lapped into corner, Refer NZBC E2/AS1 4.3.11</p> <p>(FT4) FLEXIBLE FLASHING TAPE: Flexible flashing tape wrapped around pipe and over building wrap, Refer NZBC E2/AS1 4.3.11 & Figure 68</p> <p>(IN) INSULATION: Selected Insulation</p> <p>(BC1) BOXED CORNER COVER : 98x18 KLC Generation II, MicroPro H3.2 Cover Batten to boxed corners</p> <p>(BC2) BOXED CORNER COVER: 85x18 KLC Generation II, MicroPro H3.2 Cover Batten to boxed corners</p> | <p>(CF) CORNER FLASHING: Aluminium, PVC or Stainless Steel corner flashing. Refer NZBC E2/AS1 4.3 50x50 Hem or Hook to Flashing Edges 75x75 NO. Hem or Hook Required EXTRA HIGH WIND ZONE 100x100 Hem or Hook to Flashing Edges, Refer NZBC E2/AS1 4.5.1</p> <p>(S) SCRIBER: KLC Generation II, MicroPro H3.2 (10mm wide min) profile cut to fit weatherboard, sealant to back of scriber and 75 x 3.15mm Galvanised nail in 3mm predrilled hole. 40x18 or 65x18 depending on weatherboard size</p> |
|---|---|---|



MicroPro® Wood Treatment Technology

1. KLC use the MicroPro Micronized Copper Azole (MCA) based preservative system for their wood products. It accounts for 80% of wood treated in the US for domestic applications.
2. Micronized Copper Azole (MCA) preservatives are EPA-approved for use in NZ and AUS to NZS3640:2003 and AS1604:12012
3. MicroPro preservative is applied using high-pressure and vacuum-pressure in the impregnation process in KLC's modern, automated treatment facility.
4. Cut End Treatment: All cut ends surfaces are to be double coated and sealed before fixing. With a alkylid (oil based) primer
5. MicroPro preservative solution has benefits of reduced corrosivity. Use Hot Dip Galvanised Fasteners & Stainless Steel fasteners. MicroPro may be placed in direct contact with Aluminium Building products in interior applications, and above ground exterior applications that provide proper water drainage.
6. MicroPro® is the first wood treatment process to be EPP (Environmentally Preferable Product) certified by Scientific Certification Systems based on a life cycle assessment.
7. MicroPro® is environmentally sustainable, is low leaching, low VOC emissions and the award of the GREENGUARD Children and Schools Certification from the Greenguard® Environmental Institute.
8. MicroPro® Wood Treatment Technology has received a Global GreenTag GreenRate™ Level A this declaration is 'Fit-for-Purpose' and confirmed for Green Building compliance.
9. MicroPro® Wood Treatment Technology has received GreenTag PhD™ proving claims that MicroPro® is safe for human health (and ecosystems).

CAD REF :KLC DF BB50-56 - GENERAL DETAILS 02.dwg
DATE :20/11/2018



TYPE **Generation II H3.2 Exterior Cladding Systems**
Bevel Back Weatherboard - Direct Fix

NAME **Pipe Penetration**

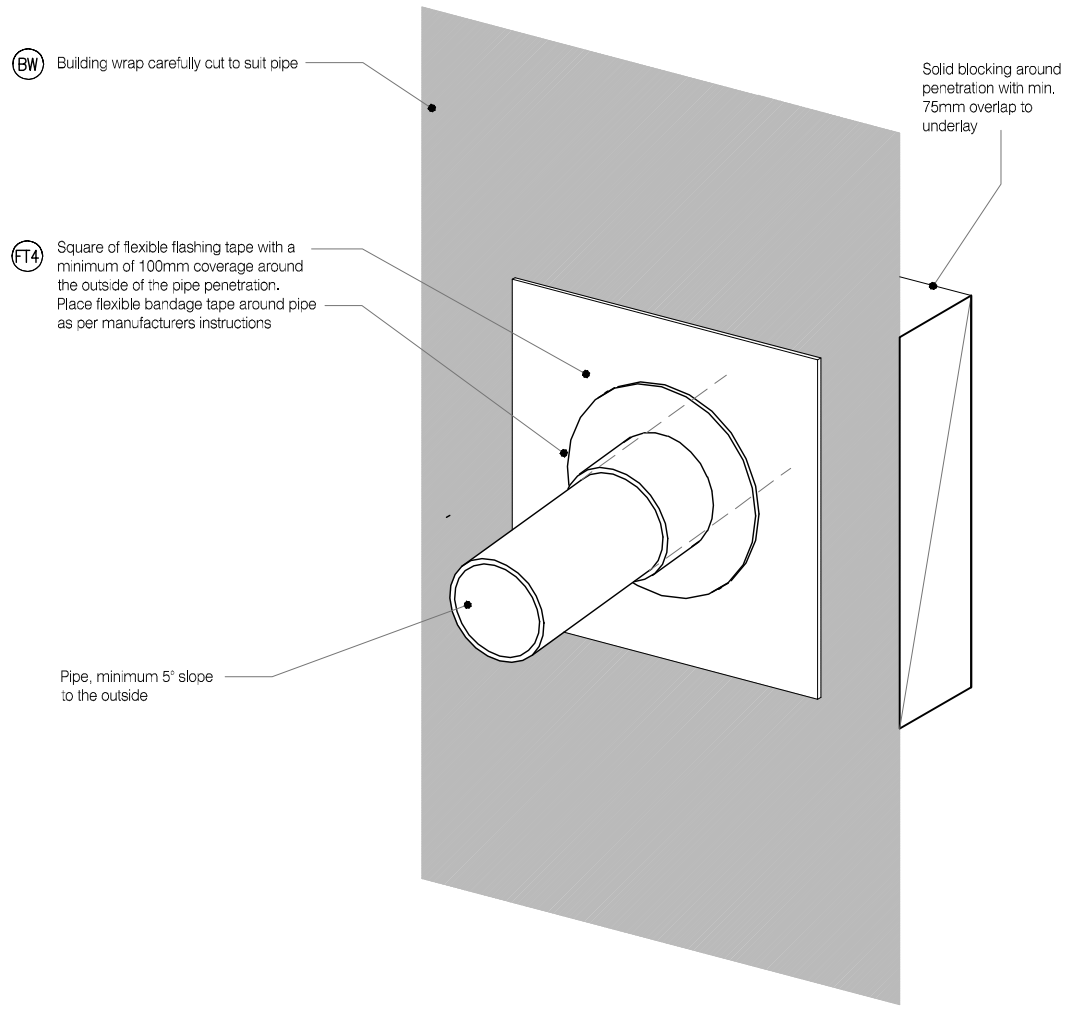
www.klc.co.nz
DETAILS MAY BE SUBJECT TO CHANGE WITHOUT NOTICE
COPYRIGHT © "KLC LIMITED" ALL RIGHTS ASSERTED



DRAWING SCALE 1:2 @ A4	ISSUE DATE 20/11/2018
DRAWING No KLC DF BB54	REVISION 0

LEGEND :

- | | | |
|---|---|---|
| <p>PEF PEF ROD BACKING: Foam backing rod with sealant to perimeter that forms a waterproof air-seal. (Sealant 2:1 Ratio)</p> <p>IL INTERNAL LINING: Selected Internal Lining</p> <p>BW BUILDING WRAP: Flexible Wall Underlay, As per NZBC E2/AS1 - Table 23. In extra high wind zones, Rigid Underlay required (9.1.7.2 E2/AS1)</p> <p>TF TIMBER FRAME: H1.2 min treated timber framing</p> <p>WB WEATHER BOARD: KLC Generation II, MicroPro H3.2 Bevel Back Weatherboard. Profile to NZS 3617</p> | <p>FT3 FLEXIBLE FLASHING TAPE: Flexible flashing tape lapped into corner, Refer NZBC E2/AS1 4.3.11</p> <p>FT4 FLEXIBLE FLASHING TAPE: Flexible flashing tape wrapped around pipe and over building wrap, Refer NZBC E2/AS1 4.3.11 & Figure 68</p> <p>IN INSULATION: Selected Insulation</p> <p>BC1 BOXED CORNER COVER : 98x18 KLC Generation II, MicroPro H3.2 Cover Batten to boxed corners</p> <p>BC2 BOXED CORNER COVER: 85x18 KLC Generation II, MicroPro H3.2 Cover Batten to boxed corners</p> | <p>CF CORNER FLASHING: Aluminium, PVC or Stainless Steel corner flashing. Refer NZBC E2/AS1 4.3 50x50 Hem or Hook to Flashing Edges 75x75 NO. Hem or Hook Required EXTRA HIGH WIND ZONE 100x100 Hem or Hook to Flashing Edges, Refer NZBC E2/AS1 4.5.1</p> <p>S SCRIBER: KLC Generation II, MicroPro H3.2 (10mm wide min) profile cut to fit weatherboard, sealant to back of scriber and 75 x 3.15mm Galvanised nail in 3mm predrilled hole. 40x18 or 65x18 depending on weatherboard size</p> |
|---|---|---|



MicoPro® Wood Treatment Technology

- | | | |
|---|--|---|
| <ol style="list-style-type: none"> 1. KLC use the MicroPro Micronized Copper Azole (MCA) based preservative system for their wood products. It accounts for 80% of wood treated in the US for domestic applications. 2. Micronized Copper Azole (MCA) preservatives are EPA-approved for use in NZ and AUS to NZS3640:2003 and AS1604:12012 3. MicroPro preservative is applied using high-pressure and vacuum-pressure in the impregnation process in KLC's modern, automated treatment facility. 4. Cut End Treatment : All cut ends surfaces are to be double coated and sealed before fixing. With a alkyl (oil based) primer | <ol style="list-style-type: none"> 5. MicroPro preservative solution has benefits of reduced corrosivity. Use Hot Dip Galvanised Fasteners & Stainless Steel fasteners. MicroPro may be placed in direct contact with Aluminium Building products in interior applications, and above ground exterior applications that provide proper water drainage. 6. MicroPro® is the first wood treatment process to be EPP (Environmentally Preferable Product) certified by Scientific Certification Systems based on a life cycle assessment. | <ol style="list-style-type: none"> 7. MicroPro® is environmentally sustainable, is low leaching, low VOC emissions and the award of the GREENGUARD Children and Schools Certification from the Greenguard® Environmental Institute. 8. MicroPro® Wood Treatment Technology has received a Global GreenTag GreenRate™ Level A this declaration is 'Fit-for-Purpose' and confirmed for Green Building compliance. 9. MicroPro® Wood Treatment Technology has received GreenTag PhD™ proving claims that MicroPro® is safe for human health (and ecosystems). |
|---|--|---|

CAD REF : KLC DF BB50-56 - GENERAL DETAILS 02.dwg
DATE : 20/11/2018



TYPE ~~⊗~~ Generation II H3.2 Exterior Cladding Systems
Bevel Back Weatherboard - Direct Fix

NAME 3D - Pipe Penetration



DRAWING SCALE 1:2 @ A4	ISSUE DATE 20/11/2018
DRAWING No KLC DF BB55	REVISION 0

DETAILS MAY BE SUBJECT TO CHANGE WITHOUT NOTICE
COPYRIGHT © "KLC LIMITED" ALL RIGHTS ASSERTED