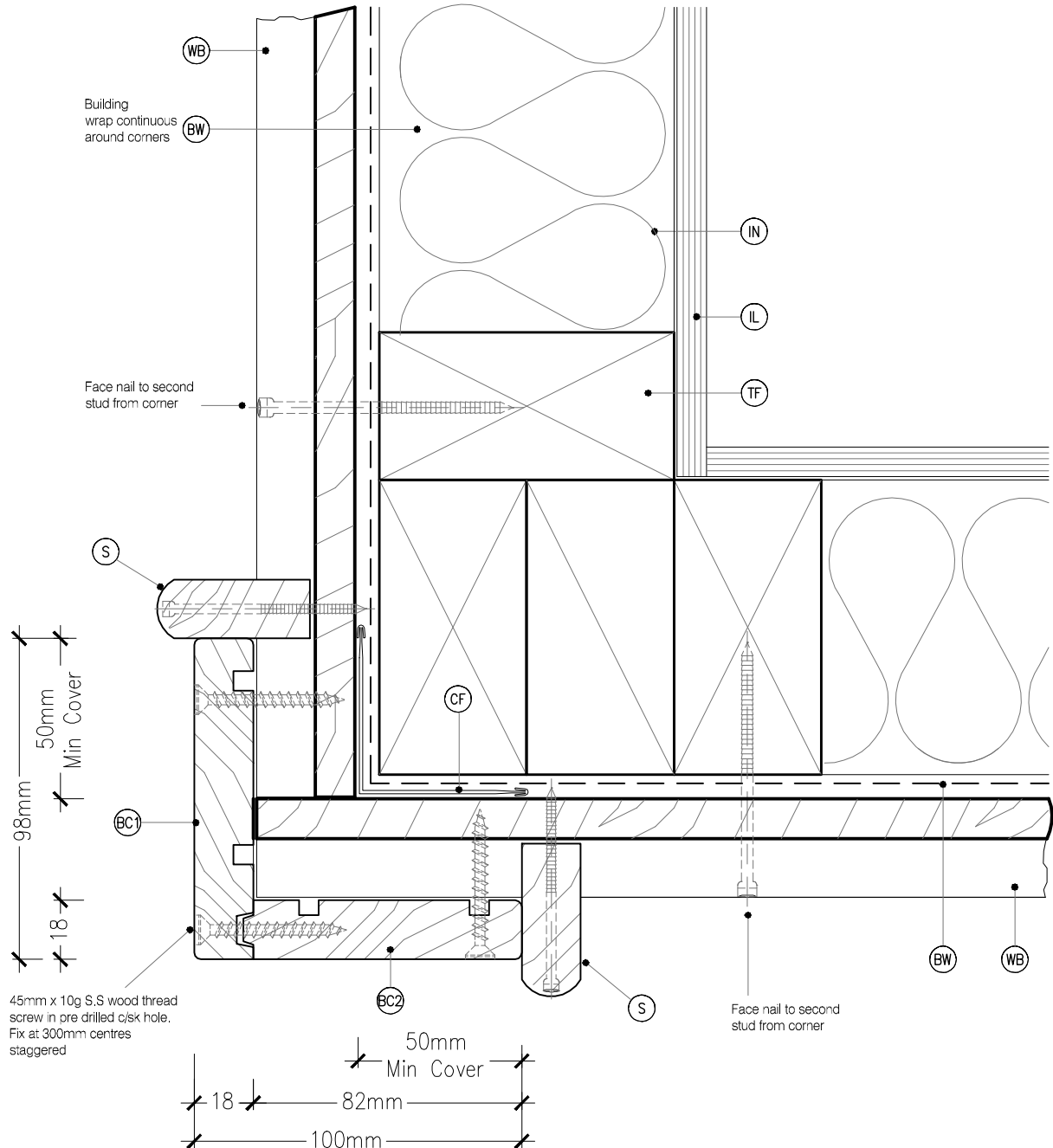


LEGEND :

<p><b>(PEF)</b> PEF ROD BACKING: Foam backing rod with sealant to perimeter that forms a waterproof air-seal. ( Sealant 2:1 Ratio )</p> <p><b>(IL)</b> INTERNAL LINING: Selected Internal Lining</p> <p><b>(BW)</b> BUILDING WRAP: Flexible Wall Underlay, As per NZBC E2/AS1 - Table 23, In extra high wind zones, Rigid Underlay required ( 9.1.7.2 E2/AS1 )</p> <p><b>(TF)</b> TIMBER FRAME: H1.2 min treated timber framing</p> <p><b>(WB)</b> WEATHER BOARD: KLC Generation II, MicroPro H3.2 Bevel Back Weatherboard. Profile to NZS 3617</p>	<p><b>(FT3)</b> FLEXIBLE FLASHING TAPE: Flexible flashing tape lapped into corner, Refer NZBC E2/AS1 4.3.11</p> <p><b>(FT4)</b> FLEXIBLE FLASHING TAPE: Flexible flashing tape wrapped around pipe and over building wrap, Refer NZBC E2/AS1 4.3.11 &amp; Figure 68</p> <p><b>(IN)</b> INSULATION: Selected Insulation</p> <p><b>(BC1)</b> BOXED CORNER COVER : 98x18 KLC Generation II, MicroPro H3.2 Cover Batten to boxed corners</p> <p><b>(BC2)</b> BOXED CORNER COVER: 85x18 KLC Generation II, MicroPro H3.2 Cover Batten to boxed corners</p>	<p><b>(CF)</b> CORNER FLASHING: Aluminium, PVC or Stainless Steel corner flashing. Refer NZBC E2/AS1 4.3 50x50 Hem or Hook to Flashing Edges 75x75 NO. Hem or Hook Required EXTRA HIGH WIND ZONE 100x100 Hem or Hook to Flashing Edges, Refer NZBC E2/AS1 4.5.1</p> <p><b>(S)</b> SCRIBER: KLC Generation II, MicroPro H3.2 (10mm wide min) profile cut to fit weatherboard, sealant to back of scriber and 75 x 3.15mm Galvanised nail in 3mm predrilled hole. 40x18 or 65x18 depending on weatherboard size</p>
---	---	---



MicroPro® Wood Treatment Technology

- KLC use the MicroPro Micronized Copper Azole (MCA) based preservative system for their wood products. It accounts for 80% of wood treated in the US for domestic applications.
- Micronized Copper Azole (MCA) preservatives are EPA-approved for use in NZ and AUS to NZS3640:2003 and AS1604:12012
- MicroPro preservative is applied using high-pressure and vacuum-pressure in the impregnation process in KLC's modern, automated treatment facility.
- Cut End Treatment: All cut ends surfaces are to be double coated and sealed before fixing. With a alkyl (oil based) primer
- MicroPro preservative solution has benefits of reduced corrosivity. Use Hot Dip Galvanised Fasteners & Stainless Steel fasteners. MicroPro may be placed in direct contact with Aluminium Building products in interior applications, and above ground exterior applications that provide proper water drainage
- MicroPro® is the first wood treatment process to be EPP (Environmentally Preferable Product) certified by Scientific Certification Systems based on a life cycle assessment.
- MicroPro® is environmentally sustainable, is low leaching, low VOC emissions and the award of the GREENGUARD Children and Schools Certification from the Greenguard® Environmental Institute.
- MicroPro® Wood Treatment Technology has received a Global GreenTag GreenRate™ Level A this declaration is 'Fit-for-Purpose' and confirmed for Green Building compliance.
- MicroPro® Wood Treatment Technology has received GreenTag PhD™ proving claims that MicroPro® is safe for human health (and ecosystems).

CAD REF :KLC DF BB50-56 - GENERAL DETAILS 02.dwg  
DATE :20/11/2018



TYPE **Generation II H3.2 Exterior Cladding Systems**  
**Bevel Back Weatherboard - Direct Fix**

[www.klc.co.nz](http://www.klc.co.nz)  
DETAILS MAY BE SUBJECT TO CHANGE WITHOUT NOTICE  
COPYRIGHT © "KLC LIMITED" ALL RIGHTS ASSERTED

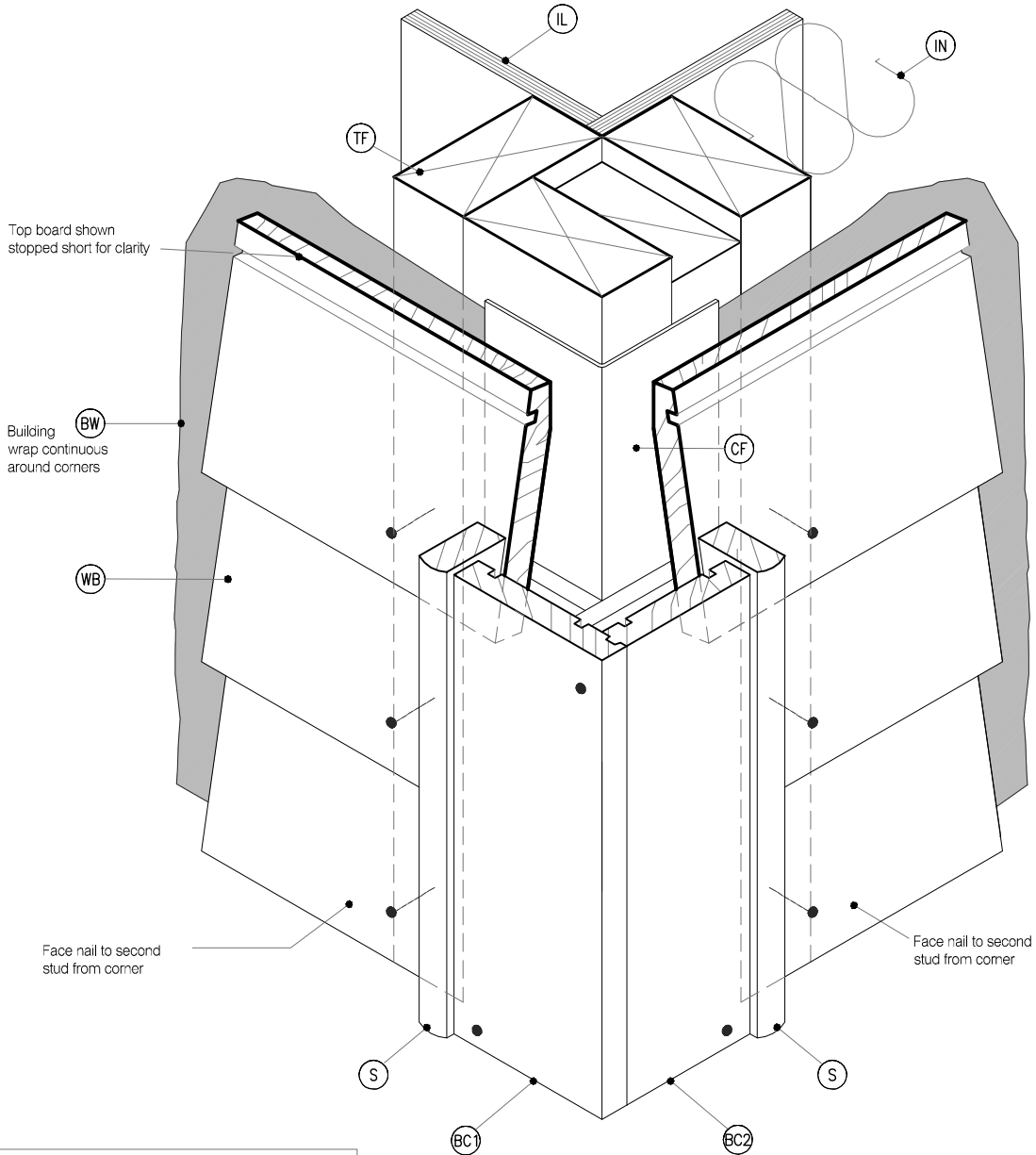
NAME External Boxed Corner



DRAWING SCALE 1:2 @ A4	ISSUE DATE 20/11/2018
DRAWING No <b>KLC DF BB50</b>	REVISION <b>0</b>

LEGEND :

- |   |   |   |
|---|---|---|
| <p><b>PEF</b> PEF ROD BACKING: Foam backing rod with sealant to perimeter that forms a waterproof air-seal. ( Sealant 2:1 Ratio )</p> <p><b>IL</b> INTERNAL LINING: Selected Internal Lining</p> <p><b>BW</b> BUILDING WRAP: Flexible Wall Underlay, As per NZBC E2/AS1 - Table 23. In extra high wind zones, Rigid Underlay required ( 9.1.7.2 E2/AS1 )</p> <p><b>TF</b> TIMBER FRAME: H1.2 min treated timber framing</p> <p><b>WB</b> WEATHER BOARD: KLC Generation II, MicroPro H3.2 Bevel Back Weatherboard. Profile to NZS 3617</p> | <p><b>FT3</b> FLEXIBLE FLASHING TAPE: Flexible flashing tape lapped into corner, Refer NZBC E2/AS1 4.3.11</p> <p><b>FT4</b> FLEXIBLE FLASHING TAPE: Flexible flashing tape wrapped around pipe and over building wrap, Refer NZBC E2/AS1 4.3.11 &amp; Figure 68</p> <p><b>IN</b> INSULATION: Selected Insulation</p> <p><b>BC1</b> BOXED CORNER COVER : 98x18 KLC Generation II, MicroPro H3.2 Cover Batten to boxed corners</p> <p><b>BC2</b> BOXED CORNER COVER: 85x18 KLC Generation II, MicroPro H3.2 Cover Batten to boxed corners</p> | <p><b>CF</b> CORNER FLASHING: Aluminium, PVC or Stainless Steel corner flashing. Refer NZBC E2/AS1 4.3 50x50 Hem or Hook to Flashing Edges 75x75 NO. Hem or Hook Required EXTRA HIGH WIND ZONE 100x100 Hem or Hook to Flashing Edges, Refer NZBC E2/AS1 4.5.1</p> <p><b>S</b> SCRIBER: KLC Generation II, MicroPro H3.2 (10mm wide min) profile cut to fit weatherboard, sealant to back of scriber and 75 x 3.15mm Galvanised nail in 3mm predrilled hole. 40x18 or 65x18 depending on weatherboard size</p> |
|---|---|---|



**NOTE :**  
Box corner trim must not be continuous over solid floor joists.

**MicoPro® Wood Treatment Technology**

- KLC use the MicroPro Micronized Copper Azole ( MCA ) based preservative system for their wood products. It accounts for 80% of wood treated in the US for domestic applications.
- Micronized Copper Azole ( MCA ) preservatives are EPA-approved for use in NZ and AUS to NZS3640:2003 and AS1604:12012
- MicroPro preservative is applied using high-pressure and vacuum-pressure in the impregnation process in KLC's modern, automated treatment facility.
- Cut End Treatment: All cut ends surfaces are to be double coated and sealed before fixing. With a alkylid ( oil based ) primer
- MicroPro preservative solution has benefits of reduced corrosivity. Use Hot Dip Galvanised Fasteners & Stainless Steel fasteners. MicroPro may be placed in direct contact with Aluminium Building products in interior applications, and above ground exterior applications that provide proper water drainage
- MicroPro® is the first wood treatment process to be EPP ( Environmentally Preferable Product ) certified by Scientific Certification Systems based on a life cycle assessment.
- MicroPro® is environmentally sustainable, is low leaching, low VOC emissions and the award of the GREENGUARD Children and Schools Certification from the Greenguard® Environmental Institute.
- MicroPro® Wood Treatment Technology has received a Global GreenTag GreenRate™ Level A this declaration is 'fit-for-Purpose' and confirmed for Green Building compliance.
- MicroPro® Wood Treatment Technology has received GreenTag PhD™ proving claims that MicroPro® is safe for human health (and ecosystems).

CAD REF : KLC DF BB50-56 - GENERAL DETAILS 02.dwg  
DATE : 20/11/2018



[www.klc.co.nz](http://www.klc.co.nz)  
DETAILS MAY BE SUBJECT TO CHANGE WITHOUT NOTICE  
COPYRIGHT © "KLC LIMITED" ALL RIGHTS ASSERTED

TYPE **Generation II H3.2 Exterior Cladding Systems**  
**Bevel Back Weatherboard - Direct Fix**

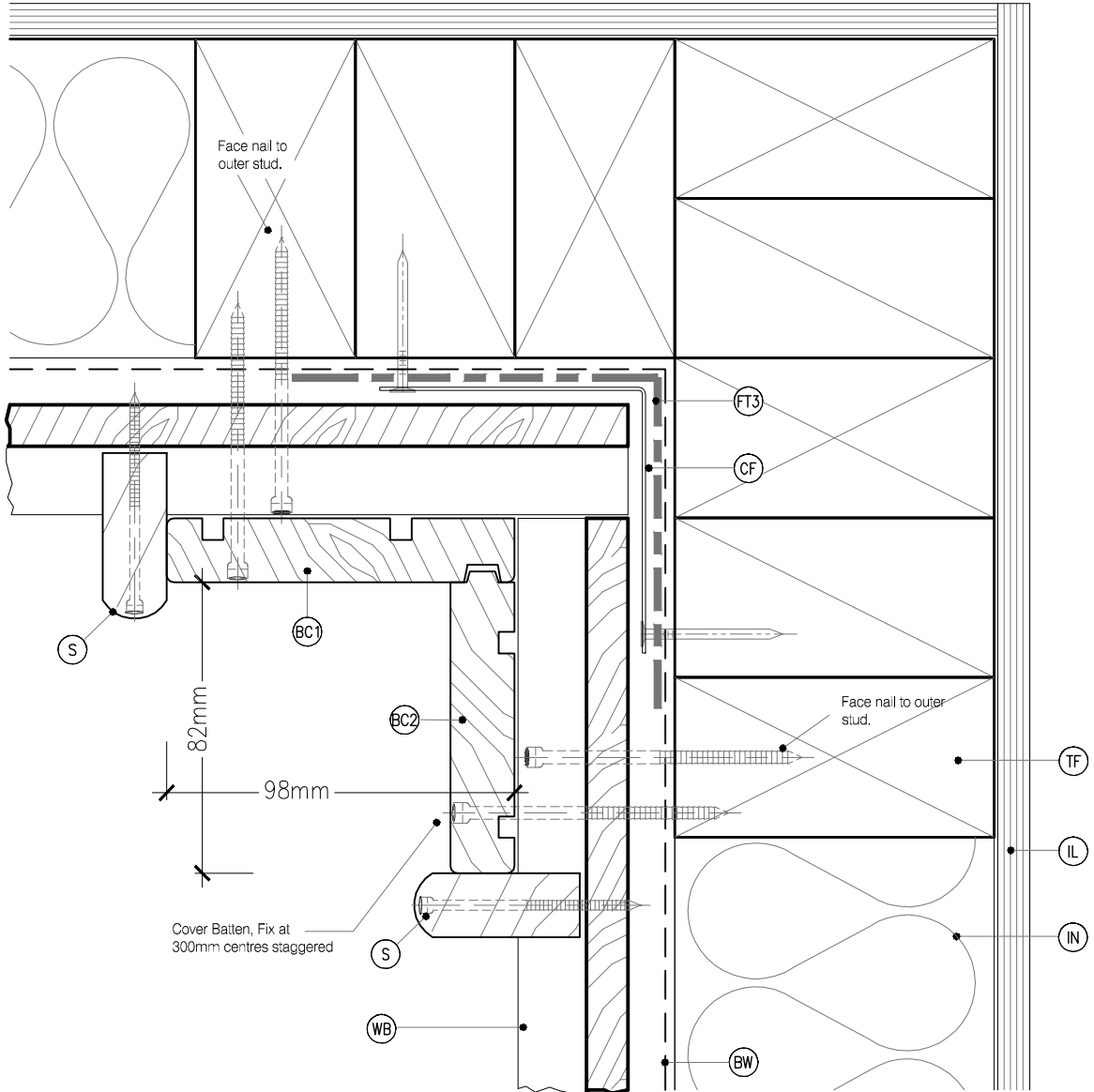
NAME **3D - External Boxed Corner**



DRAWING SCALE 1:2 @ A4	ISSUE DATE 20/11/2018
DRAWING No <b>KLC DF BB51</b>	REVISION <b>0</b>

LEGEND :

<p><b>(PEF)</b> PEF ROD BACKING: Foam backing rod with sealant to perimeter that forms a waterproof air-seal. ( Sealant 2:1 Ratio )</p> <p><b>(IL)</b> INTERNAL LINING: Selected Internal Lining</p> <p><b>(BW)</b> BUILDING WRAP: Flexible Wall Underlay, As per NZBC E2/AS1 - Table 23. In extra high wind zones, Rigid Underlay required ( 9.1.7.2 E2/AS1 )</p> <p><b>(TF)</b> TIMBER FRAME: H1.2 min treated timber framing</p> <p><b>(WB)</b> WEATHER BOARD: KLC Generation II, MicroPro H3.2 Bevel Back Weatherboard. Profile to NZS 3617</p>	<p><b>(FT3)</b> FLEXIBLE FLASHING TAPE: Flexible flashing tape lapped into corner, Refer NZBC E2/AS1 4.3.11</p> <p><b>(FT4)</b> FLEXIBLE FLASHING TAPE: Flexible flashing tape wrapped around pipe and over building wrap, Refer NZBC E2/AS1 4.3.11 &amp; Figure 68</p> <p><b>(IN)</b> INSULATION: Selected Insulation</p> <p><b>(BC1)</b> BOXED CORNER COVER : 98x18 KLC Generation II, MicroPro H3.2 Cover Batten to boxed corners</p> <p><b>(BC2)</b> BOXED CORNER COVER: 85x18 KLC Generation II, MicroPro H3.2 Cover Batten to boxed corners</p>	<p><b>(CF)</b> CORNER FLASHING: Aluminium, PVC or Stainless Steel corner flashing. Refer NZBC E2/AS1 4.3 50x50 Hem or Hook to Flashing Edges 75x75 NO. Hem or Hook Required EXTRA HIGH WIND ZONE 100x100 Hem or Hook to Flashing Edges, Refer NZBC E2/AS1 4.5.1</p> <p><b>(S)</b> SCRIBER: KLC Generation II, MicroPro H3.2 (10mm wide min) profile cut to fit weatherboard, sealant to back of scriber and 75 x 3.15mm Galvanised nail in 3mm predrilled hole. 40x18 or 65x18 depending on weatherboard size</p>
---	---	---



DETAIL NOTES :

1. Aluminium extrusion must not be continuous over solid floor joists.
2. Corner Flashing is recommended but not required by E2/AS1
3. Flashing tape is recommended due to movement that may occur in corners but it is not required by E2/AS1

MicroPro® Wood Treatment Technology

1. KLC use the MicroPro Micronized Copper Azole ( MCA ) based preservative system for their wood products. It accounts for 80% of wood treated in the US for domestic applications.
2. Micronized Copper Azole ( MCA ) preservatives are EPA-approved for use in NZ and AUS to NZS3640:2003 and AS1604:12012
3. MicroPro preservative is applied using high-pressure and vacuum-pressure in the impregnation process in KLC's modern, automated treatment facility.
4. Cut End Treatment : All cut ends surfaces are to be double coated and sealed before fixing. With a alkyl ( oil based ) primer
5. MicroPro preservative solution has benefits of reduced corrosivity. Use Hot Dip Galvanised Fasteners & Stainless Steel fasteners. MicroPro may be placed in direct contact with Aluminium Building products in interior applications, and above ground exterior applications that provide proper water drainage
6. MicroPro® is the first wood treatment process to be EPP ( Environmentally Preferable Product ) certified by Scientific Certification Systems based on a life cycle assessment.
7. MicroPro® is environmentally sustainable, is low leaching, low VOC emissions and the award of the GREENGUARD Children and Schools Certification from the Greenguard® Environmental Institute.
8. MicroPro® Wood Treatment Technology has received a Global GreenTag GreenRate™ Level A this declaration is 'fit-for-Purpose' and confirmed for Green Building compliance.
9. MicroPro® Wood Treatment Technology has received GreenTag PhD™ proving claims that MicroPro® is safe for human health (and ecosystems).

CAD REF : KLC DF BB50-56 - GENERAL DETAILS 02.dwg  
DATE : 20/11/2018



TYPE **Generation II H3.2 Exterior Cladding Systems**  
**Bevel Back Weatherboard - Direct Fix**

NAME **Internal Boxed Corner**

[www.klc.co.nz](http://www.klc.co.nz)  
DETAILS MAY BE SUBJECT  
TO CHANGE WITHOUT NOTICE  
COPYRIGHT © "KLC LIMITED" ALL RIGHTS ASSERTED



DRAWING SCALE 1:2 @ A4	ISSUE DATE 20/11/2018
DRAWING No <b>KLC DF BB52</b>	REVISION <b>0</b>

LEGEND :

- |   |   |   |
|---|---|---|
| <p><b>(PEF)</b> PEF ROD BACKING: Foam backing rod with sealant to perimeter that forms a waterproof air-seal. ( Sealant 2:1 Ratio )</p> <p><b>(IL)</b> INTERNAL LINING: Selected Internal Lining</p> <p><b>(BW)</b> BUILDING WRAP: Flexible Wall Underlay, As per NZBC E2/AS1 - Table 23, In extra high wind zones, Rigid Underlay required ( 9.1.7.2 E2/AS1 )</p> <p><b>(TF)</b> TIMBER FRAME: H1.2 min treated timber framing</p> <p><b>(WB)</b> WEATHER BOARD: KLC Generation II, MicroPro H3.2 Bevel Back Weatherboard. Profile to NZS 3617</p> | <p><b>(FT3)</b> FLEXIBLE FLASHING TAPE: Flexible flashing tape lapped into corner, Refer NZBC E2/AS1 4.3.11</p> <p><b>(FT4)</b> FLEXIBLE FLASHING TAPE: Flexible flashing tape wrapped around pipe and over building wrap, Refer NZBC E2/AS1 4.3.11 &amp; Figure 68</p> <p><b>(IN)</b> INSULATION: Selected Insulation</p> <p><b>(BC1)</b> BOXED CORNER COVER : 98x18 KLC Generation II, MicroPro H3.2 Cover Batten to boxed corners</p> <p><b>(BC2)</b> BOXED CORNER COVER: 85x18 KLC Generation II, MicroPro H3.2 Cover Batten to boxed corners</p> | <p><b>(CF)</b> CORNER FLASHING: Aluminium, PVC or Stainless Steel corner flashing. Refer NZBC E2/AS1 4.3 50x50 Hem or Hook to Flashing Edges 75x75 NO. Hem or Hook Required EXTRA HIGH WIND ZONE 100x100 Hem or Hook to Flashing Edges, Refer NZBC E2/AS1 4.5.1</p> <p><b>(S)</b> SCRIBER: KLC Generation II, MicroPro H3.2 (10mm wide min) profile cut to fit weatherboard, sealant to back of scriber and 75 x 3.15mm Galvanised nail in 3mm predrilled hole. 40x18 or 65x18 depending on weatherboard size</p> |
|---|---|---|

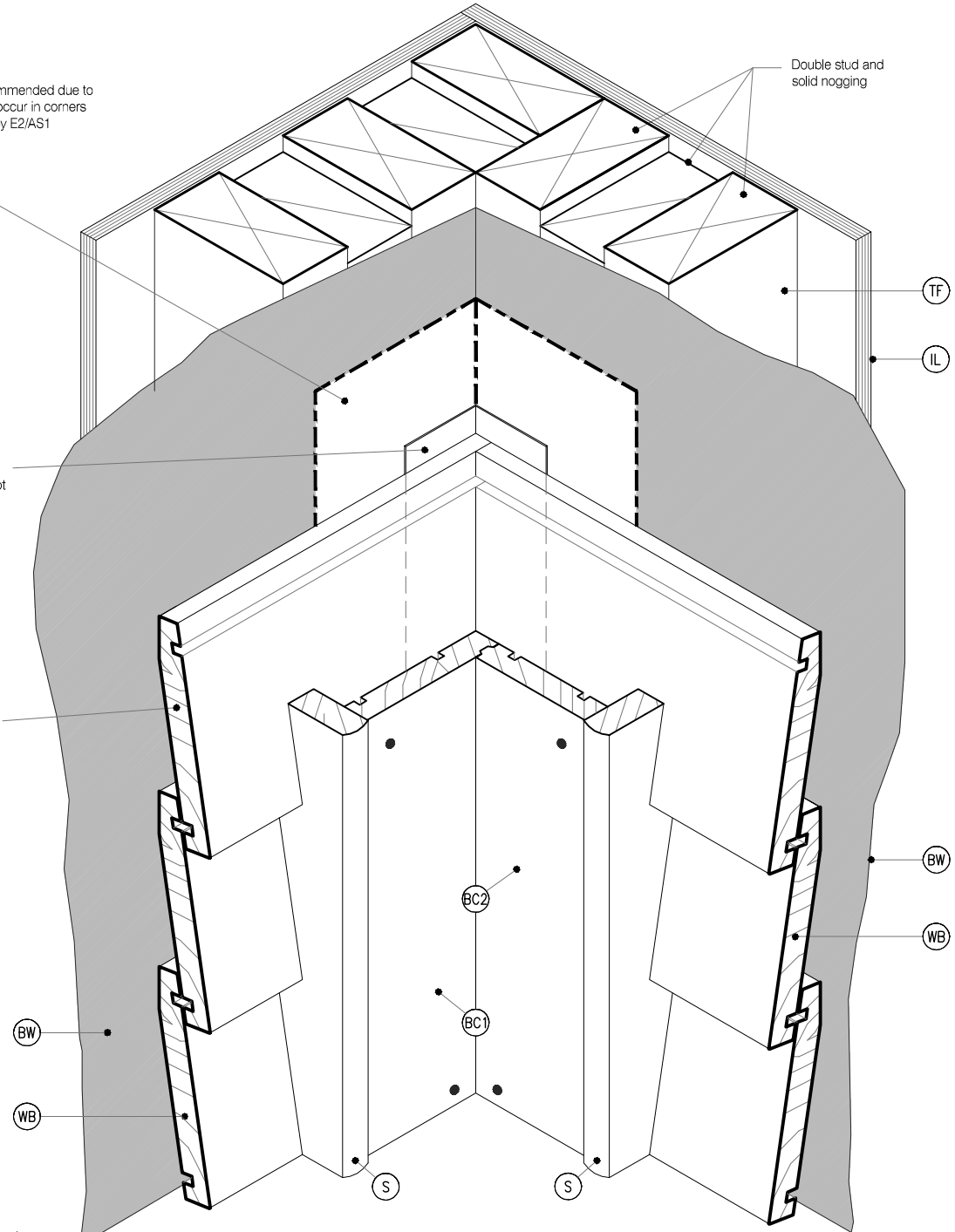
**(FT3)**

Flashing tape is recommended due to movement that may occur in corners but it is not required by E2/AS1

**(CF)**

Corner Flashing is recommended but not required by E2/AS1

Weatherboards this side to run through to stud and to be fixed first.



**MicoPro® Wood Treatment Technology**

1. KLC use the MicroPro Micronized Copper Azole (MCA) based preservative system for their wood products. It accounts for 80% of wood treated in the US for domestic applications.
2. Micronized Copper Azole (MCA) preservatives are EPA-approved for use in NZ and AUS to NZS3640:2003 and AS1604:12012
3. MicroPro preservative is applied using high-pressure and vacuum-pressure in the impregnation process in KLC's modern, automated treatment facility.
4. Cut End Treatment: All cut ends surfaces are to be double coated and sealed before fixing. With a alkyl (oil based) primer
5. MicroPro preservative solution has benefits of reduced corrosivity. Use Hot Dip Galvanised Fasteners & Stainless Steel fasteners. MicroPro may be placed in direct contact with Aluminium Building products in interior applications, and above ground exterior applications that provide proper water drainage.
6. MicroPro® is the first wood treatment process to be EPP (Environmentally Preferable Product) certified by Scientific Certification Systems based on a life cycle assessment.
7. MicroPro® is environmentally sustainable, is low leaching, low VOC emissions and the award of the GREENGUARD Children and Schools Certification from the Greenguard® Environmental Institute.
8. MicroPro® Wood Treatment Technology has received a Global GreenTag GreenRate™ Level A this declaration is 'Fit-for-Purpose' and confirmed for Green Building compliance.
9. MicroPro® Wood Treatment Technology has received GreenTag PhD™ proving claims that MicroPro® is safe for human health (and ecosystems).

CAD REF : KLC DF BB50-56 - GENERAL DETAILS 02.dwg  
DATE : 20/11/2018



[www.klc.co.nz](http://www.klc.co.nz)  
DETAILS MAY BE SUBJECT TO CHANGE WITHOUT NOTICE  
COPYRIGHT © "KLC LIMITED" ALL RIGHTS ASSERTED

TYPE **Generation II H3.2 Exterior Cladding Systems**  
**Bevel Back Weatherboard - Direct Fix**

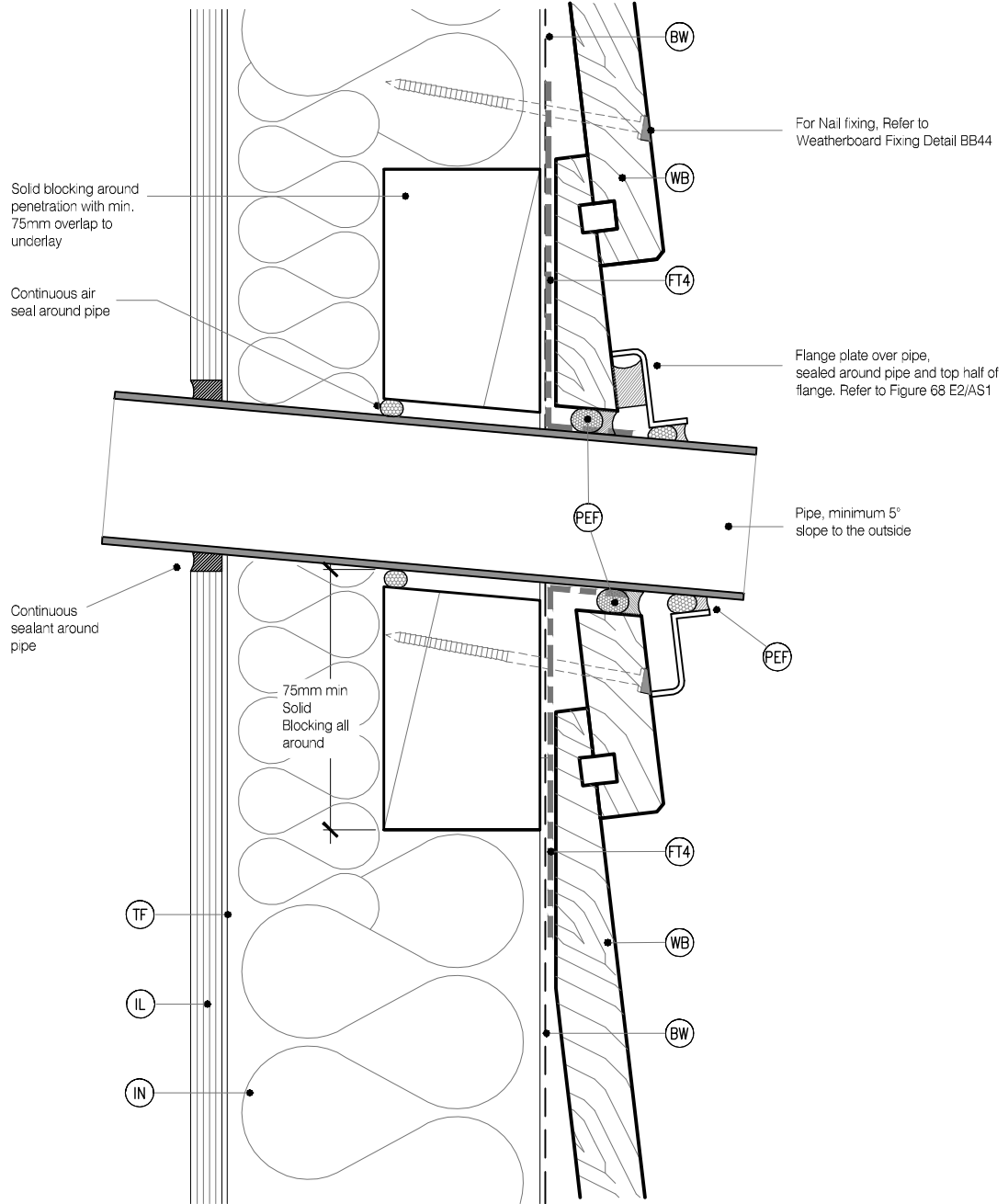
NAME **3D - Internal Boxed Corner**



DRAWING SCALE 1:2 @ A4	ISSUE DATE 20/11/2018
DRAWING No <b>KLC DF BB53</b>	REVISION <b>0</b>

LEGEND :

- |  |  |  |
|--|--|--|
| <ul style="list-style-type: none"> <li><b>(PEF)</b> PEF ROD BACKING: Foam backing rod with sealant to perimeter that forms a waterproof air-seal. ( Sealant 2:1 Ratio )</li> <li><b>(IL)</b> INTERNAL LINING: Selected Internal Lining</li> <li><b>(BW)</b> BUILDING WRAP: Flexible Wall Underlay, As per NZBC E2/AS1 - Table 23. In extra high wind zones, Rigid Underlay required ( 9.1.7.2 E2/AS1 )</li> <li><b>(TF)</b> TIMBER FRAME: H1.2 min treated timber framing</li> <li><b>(WB)</b> WEATHER BOARD: KLC Generation II, MicroPro H3.2 Bevel Back Weatherboard. Profile to NZS 3617</li> </ul> | <ul style="list-style-type: none"> <li><b>(FT3)</b> FLEXIBLE FLASHING TAPE: Flexible flashing tape lapped into corner, Refer NZBC E2/AS1 4.3.11</li> <li><b>(FT4)</b> FLEXIBLE FLASHING TAPE: Flexible flashing tape wrapped around pipe and over building wrap, Refer NZBC E2/AS1 4.3.11 &amp; Figure 68</li> <li><b>(IN)</b> INSULATION: Selected Insulation</li> <li><b>(BC1)</b> BOXED CORNER COVER : 98x18 KLC Generation II, MicroPro H3.2 Cover Batten to boxed corners</li> <li><b>(BC2)</b> BOXED CORNER COVER: 85x18 KLC Generation II, MicroPro H3.2 Cover Batten to boxed corners</li> </ul> | <ul style="list-style-type: none"> <li><b>(CF)</b> CORNER FLASHING: Aluminium, PVC or Stainless Steel corner flashing. Refer NZBC E2/AS1 4.3 50x50 Hem or Hook to Flashing Edges 75x75 NO. Hem or Hook Required EXTRA HIGH WIND ZONE 100x100 Hem or Hook to Flashing Edges, Refer NZBC E2/AS1 4.5.1</li> <li><b>(S)</b> SCRIBER: KLC Generation II, MicroPro H3.2 (10mm wide min) profile cut to fit weatherboard, sealant to back of scriber and 75 x 3.15mm Galvanised nail in 3mm predrilled hole. 40x18 or 65x18 depending on weatherboard size</li> </ul> |
|--|--|--|



MicroPro® Wood Treatment Technology

1. KLC use the MicroPro Micronized Copper Azole (MCA) based preservative system for their wood products. It accounts for 80% of wood treated in the US for domestic applications.
2. Micronized Copper Azole (MCA) preservatives are EPA-approved for use in NZ and AUS to NZS3640:2003 and AS1604:12012
3. MicroPro preservative is applied using high-pressure and vacuum-pressure in the impregnation process in KLC's modern, automated treatment facility.
4. Cut End Treatment: All cut ends surfaces are to be double coated and sealed before fixing. With a alkylid (oil based) primer
5. MicroPro preservative solution has benefits of reduced corrosivity. Use Hot Dip Galvanised Fasteners & Stainless Steel fasteners. MicroPro may be placed in direct contact with Aluminium Building products in interior applications, and above ground exterior applications that provide proper water drainage.
6. MicroPro® is the first wood treatment process to be EPP (Environmentally Preferable Product) certified by Scientific Certification Systems based on a life cycle assessment.
7. MicroPro® is environmentally sustainable, is low leaching, low VOC emissions and the award of the GREENGUARD Children and Schools Certification from the Greenguard® Environmental Institute.
8. MicroPro® Wood Treatment Technology has received a Global GreenTag GreenRate™ Level A this declaration is 'Fit-for-Purpose' and confirmed for Green Building compliance.
9. MicroPro® Wood Treatment Technology has received GreenTag PhD™ proving claims that MicroPro® is safe for human health (and ecosystems).

CAD REF :KLC DF BB50-56 - GENERAL DETAILS 02.dwg  
DATE :20/11/2018



TYPE **Generation II H3.2 Exterior Cladding Systems**  
**Bevel Back Weatherboard - Direct Fix**

www.klc.co.nz  
DETAILS MAY BE SUBJECT  
TO CHANGE WITHOUT NOTICE  
COPYRIGHT © "KLC LIMITED" ALL RIGHTS ASSERTED

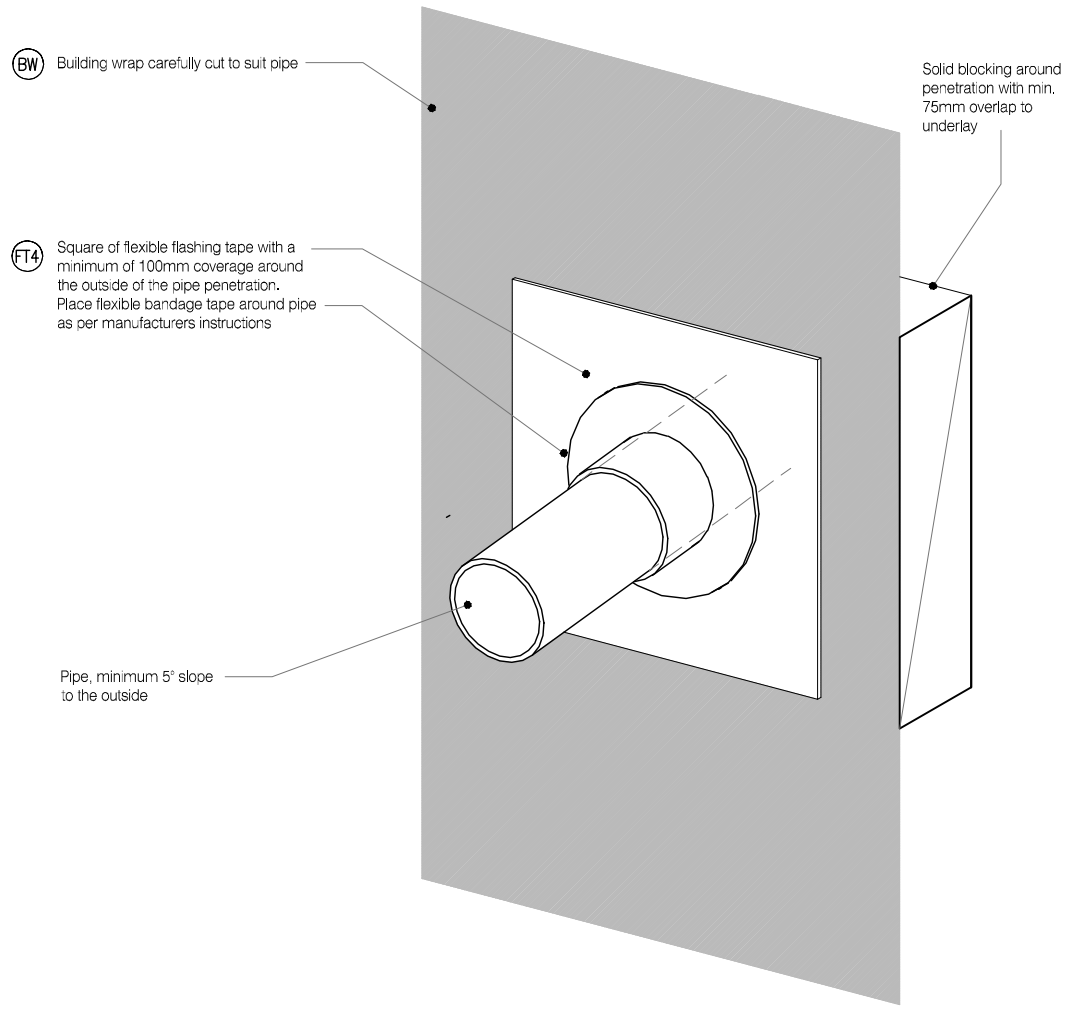
NAME Pipe Penetration



DRAWING SCALE 1:2 @ A4	ISSUE DATE 20/11/2018
DRAWING No <b>KLC DF BB54</b>	REVISION <b>0</b>

LEGEND :

- |   |   |   |
|---|---|---|
| <p><b>PEF</b> PEF ROD BACKING: Foam backing rod with sealant to perimeter that forms a waterproof air-seal. ( Sealant 2:1 Ratio )</p> <p><b>IL</b> INTERNAL LINING: Selected Internal Lining</p> <p><b>BW</b> BUILDING WRAP: Flexible Wall Underlay, As per NZBC E2/AS1 - Table 23. In extra high wind zones, Rigid Underlay required ( 9.1.7.2 E2/AS1 )</p> <p><b>TF</b> TIMBER FRAME: H1.2 min treated timber framing</p> <p><b>WB</b> WEATHER BOARD: KLC Generation II, MicroPro H3.2 Bevel Back Weatherboard. Profile to NZS 3617</p> | <p><b>FT3</b> FLEXIBLE FLASHING TAPE: Flexible flashing tape lapped into corner, Refer NZBC E2/AS1 4.3.11</p> <p><b>FT4</b> FLEXIBLE FLASHING TAPE: Flexible flashing tape wrapped around pipe and over building wrap, Refer NZBC E2/AS1 4.3.11 &amp; Figure 68</p> <p><b>IN</b> INSULATION: Selected Insulation</p> <p><b>BC1</b> BOXED CORNER COVER : 98x18 KLC Generation II, MicroPro H3.2 Cover Batten to boxed corners</p> <p><b>BC2</b> BOXED CORNER COVER: 85x18 KLC Generation II, MicroPro H3.2 Cover Batten to boxed corners</p> | <p><b>CF</b> CORNER FLASHING: Aluminium, PVC or Stainless Steel corner flashing. Refer NZBC E2/AS1 4.3 50x50 Hem or Hook to Flashing Edges 75x75 NO. Hem or Hook Required EXTRA HIGH WIND ZONE 100x100 Hem or Hook to Flashing Edges, Refer NZBC E2/AS1 4.5.1</p> <p><b>S</b> SCRIBER: KLC Generation II, MicroPro H3.2 (10mm wide min) profile cut to fit weatherboard, sealant to back of scriber and 75 x 3.15mm Galvanised nail in 3mm predrilled hole. 40x18 or 65x18 depending on weatherboard size</p> |
|---|---|---|



MicoPro® Wood Treatment Technology

1. KLC use the MicroPro Micronized Copper Azole ( MCA ) based preservative system for their wood products. It accounts for 80% of wood treated in the US for domestic applications.
2. Micronized Copper Azole ( MCA ) preservatives are EPA-approved for use in NZ and AUS to NZS3640:2003 and AS1604:12012
3. MicroPro preservative is applied using high-pressure and vacuum-pressure in the impregnation process in KLC's modern, automated treatment facility.
4. Cut End Treatment : All cut ends surfaces are to be double coated and sealed before fixing. With a alkyl ( oil based ) primer
5. MicroPro preservative solution has benefits of reduced corrosivity. Use Hot Dip Galvanised Fasteners & Stainless Steel fasteners. MicroPro may be placed in direct contact with Aluminium Building products in interior applications, and above ground exterior applications that provide proper water drainage
6. MicroPro® is the first wood treatment process to be EPP ( Environmentally Preferable Product ) certified by Scientific Certification Systems based on a life cycle assessment.
7. MicroPro® is environmentally sustainable, is low leaching, low VOC emissions and the award of the GREENGUARD Children and Schools Certification from the Greenguard® Environmental Institute.
8. MicroPro® Wood Treatment Technology has received a Global GreenTag GreenRate™ Level A this declaration is 'fit-for-Purpose' and confirmed for Green Building compliance.
9. MicroPro® Wood Treatment Technology has received GreenTag PhD™ proving claims that MicroPro® is safe for human health (and ecosystems).

CAD REF : KLC DF BB50-56 - GENERAL DETAILS 02.dwg  
DATE : 20/11/2018



TYPE **Generation II H3.2 Exterior Cladding Systems**  
**Bevel Back Weatherboard - Direct Fix**

[www.klc.co.nz](http://www.klc.co.nz)  
DETAILS MAY BE SUBJECT TO CHANGE WITHOUT NOTICE  
COPYRIGHT © "KLC LIMITED" ALL RIGHTS ASSERTED

NAME **3D - Pipe Penetration**



DRAWING SCALE 1:2 @ A4	ISSUE DATE 20/11/2018
DRAWING No <b>KLC DF BB55</b>	REVISION <b>0</b>