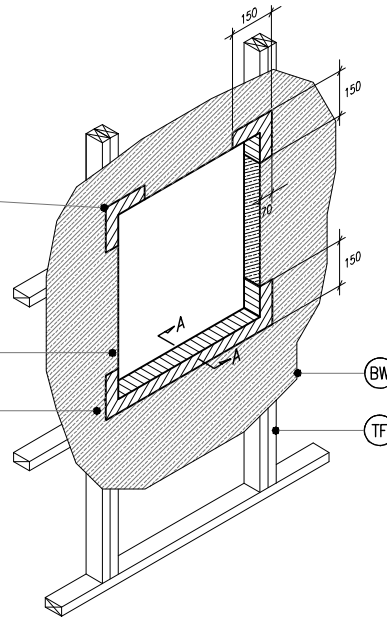


(FT1) ONE PIECE HEAD FLASHING TAPE, TO BUILDING WRAP

BUILDING WRAP (ALLOW TOP LAP INTO OPENING)

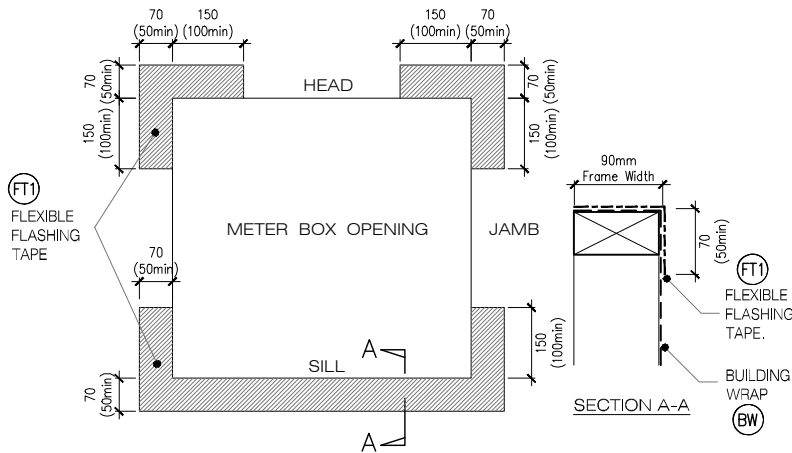
(FT1) ONE PIECE SILL FLASHING TAPE, TO BUILDING WRAP

BUILDING WRAP DRESSED INTO THE FRAMED OPENING WITH FLEXIBLE FLASHING TAPE LAPPED OVER AND TURNED DOWN OVER BUILDING WRAP 70mm



M4 TYPICAL METER BOX OPENING (FLASHING TAPE

BB33 SCALE : N.T.S

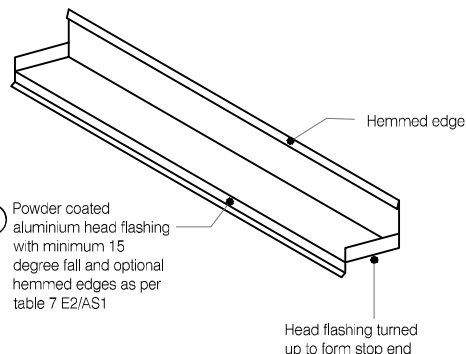


MicoPro® Wood Treatment Technology

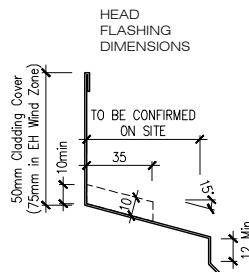
1. KLC use the MicroPro Micronized Copper Azole (MCA) based preservative system for their wood products. It accounts for 80% of wood treated in the US for domestic applications
2. Micronized Copper Azole (MCA) preservatives are EPA-approved for use in NZ and AUS to NZS3640:2003 and AS1604:12012
3. MicroPro preservative is applied using high-pressure and vacuum-pressure in the impregnation process in KLC's modern, automated treatment facility.
4. Cut End Treatment : All cut ends surfaces are to be double coated and **sealed before fixing. With a alkyl (oil based) primer**
5. **MicroPro preservative solution has benefits of reduced corrosion.** Use Hot Dip Galvanised Fasteners & Stainless Steel fasteners. MicroPro may be placed in direct contact with Aluminium Building products in interior applications, and above ground exterior applications that provide proper water drainage
6. MicroPro® is the first wood treatment process to be EPP (Environmentally Preferable Product) certified by Scientific Certification Systems based on a life cycle assessment.
7. MicroPro® is environmentally sustainable, is low leaching, low VOC emissions and the award of the GREENGUARD Children and Schools' Certification from the Greenguard® Environmental Institute.
8. MicroPro® Wood Treatment Technology has received a Global GreenTag GreenRate™ Level A this declaration is 'Fit-for-Purpose' and confirmed for Green Building compliance.
9. MicroPro® Wood Treatment Technology has received GreenTag PhD™ proving claims that MicroPro® is safe for human health (and ecosystems).

M5 FLEXIBLE BUILDING WRAP AT OPENING

BB33 SCALE : 1 / 5 @ A1, 1 / 10 @ A3



(HF) Powder coated aluminium head flashing with minimum 15 degree fall and optional hemmed edges as per table 7 E2/AS1



ONE PIECE PC ALUMINIUM HEAD FLASHING 15° SLOPE WITH 10mm min COVER TO JOINERY EXTEND 30mm min EITHER SIDE OF JOINERY WITH STOP ENDS

M6 TYPICAL HEAD & FLASHING JOINT

BB33 SCALE : 1 / 2 @ A1, 1 / 4 @ A3

CAD REF : KLC CF20 BB30-35 - METER BOX.dwg
DATE : 18/10/2018



TYPE Generation II H3.2 Exterior Cladding Systems
Bevel Back Weatherboard - Cavity Fix

NAME Meter Box - Flashing Details

www.klc.co.nz
DETAILS MAY BE SUBJECT TO CHANGE WITHOUT NOTICE
COPYRIGHT © "KLC LIMITED" ALL RIGHTS ASSERTED



| | |
|-----------------------------|--------------------------|
| DRAWING SCALE 1:4 @ A4 | ISSUE DATE 18/10/2018 |
| DRAWING No KLC CF20 BB33 | REVISION 1 |